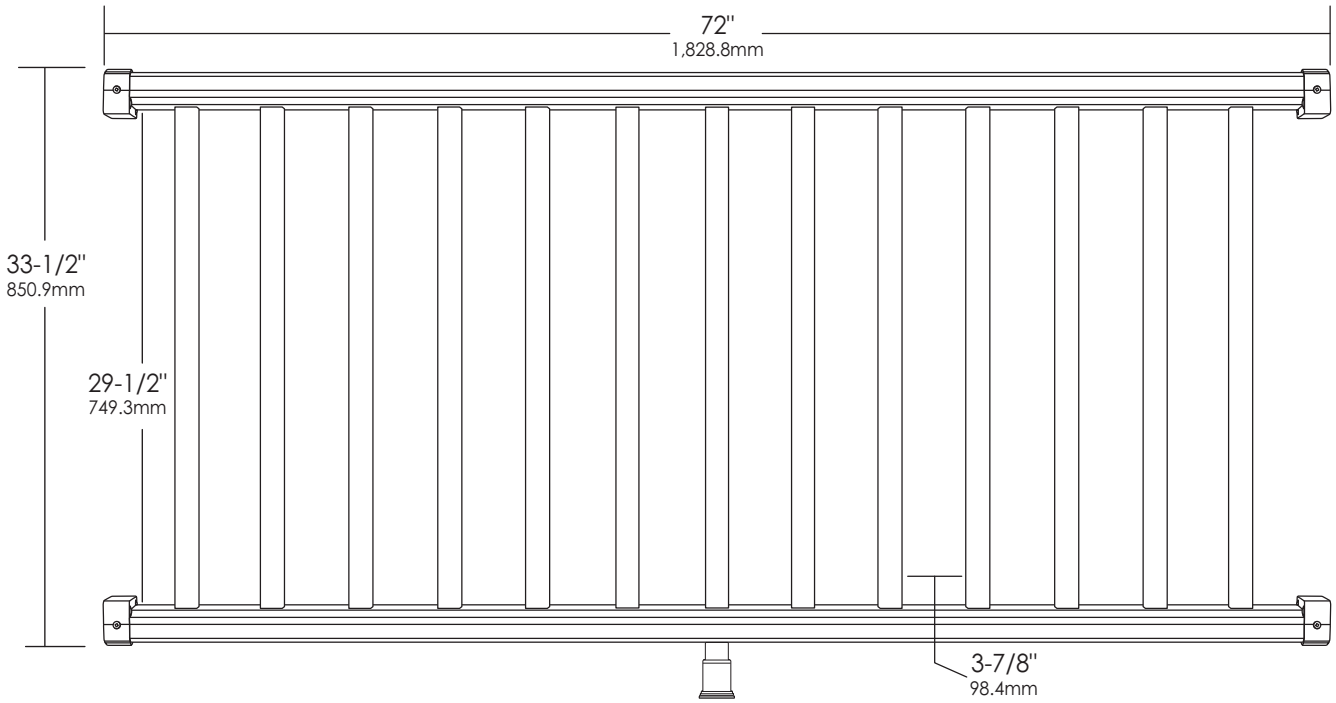
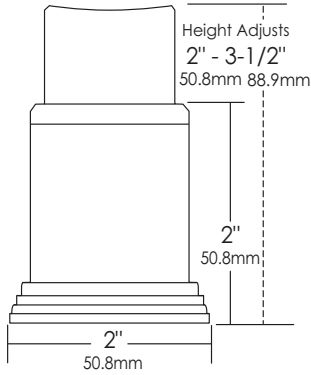


This drawing is the property of Tuscan Manufacturing. Any hard copy of this drawing may not be current. This document and or images contained within may not be reproduced in publication format without express written consent of Tuscan Manufacturing. Drawings may not be to scale.

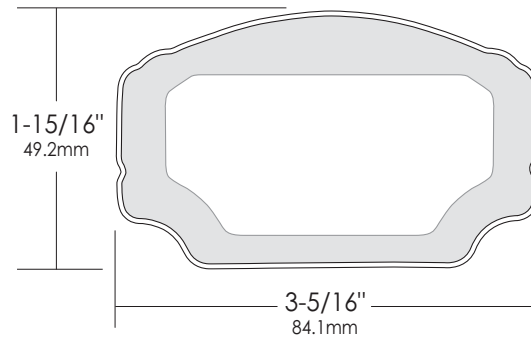
TUSCAN MANUFACTURING			
P.O. Box 185 Landisville, PA 17538			
UCM NUMBER	REF#	REV	
SCALE	SHEET#	DRAWN BY	DATE
	1 of 1	Tuscan	8/6/09



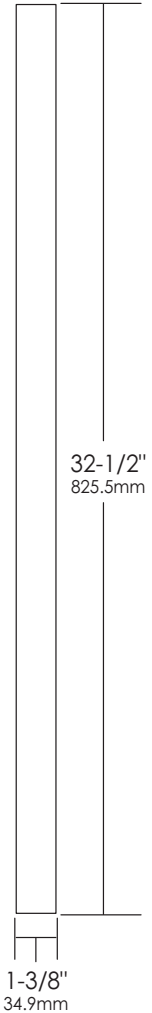
Adjustable Foot Block



Tuscan Composite Railing

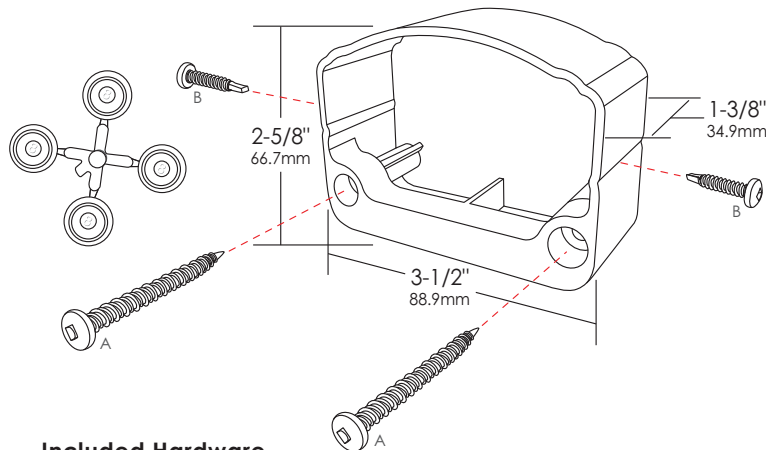


1-3/8\" Square Composite Baluster



Level Mounting Bracket

Same Bracket for Top and Bottom Rail



Included Hardware

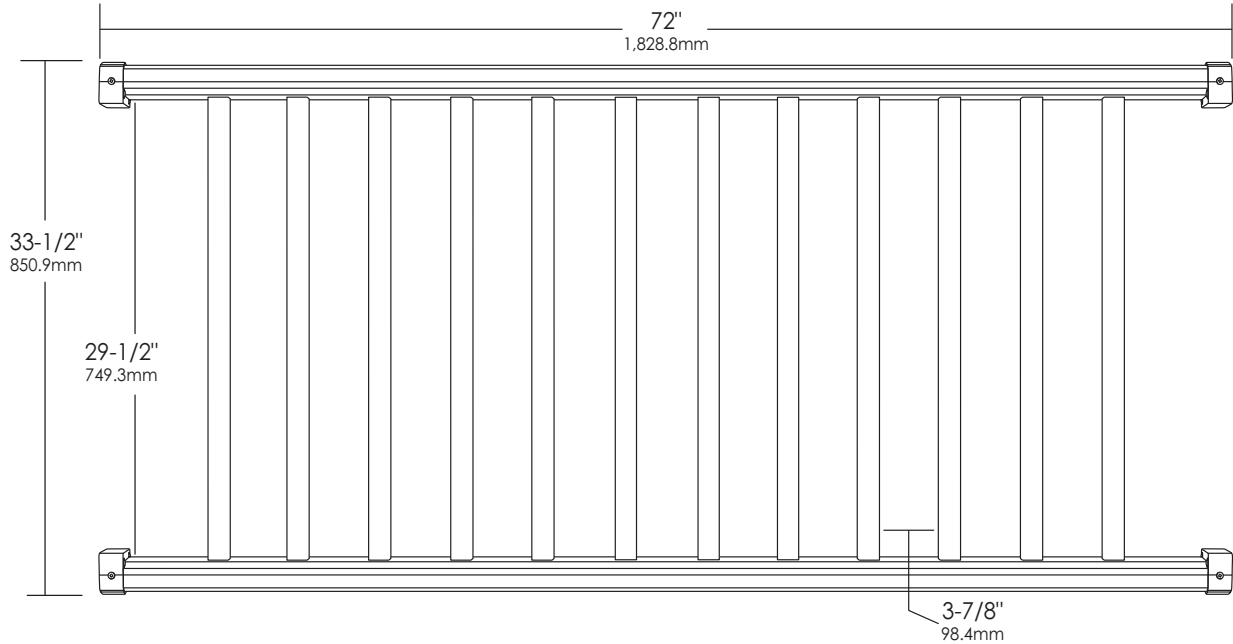
- A: #10 - 2" Stainless Steel Screw • #2 Square Drive
- B: #10 - 1" Stainless Steel Self-Tapping Screw • #2 Square Drive
- C: 4 Screw Caps



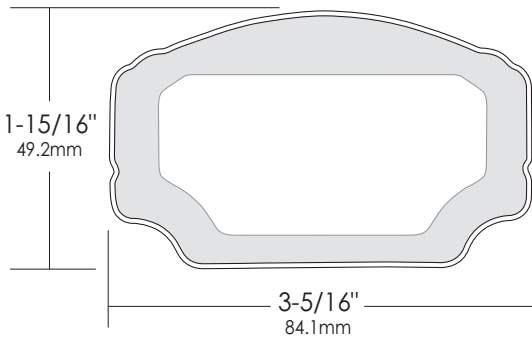
TUSCAN
MANUFACTURING
www.tuscanmfg.com

This drawing is the property of Tuscan Manufacturing.
 Any hard copy of this drawing may not be current.
 This document and or images contained within may not be reproduced in publication format without express written consent of Tuscan Manufacturing. Drawings may not be to scale.

TUSCAN MANUFACTURING			
P.O. Box 185 Landisville, PA 17538			
UCM REF#	T36-663S	REV	
SCALE	SHEET#	DRAWN BY	DATE
	1 of 1	tuscan	7/28/09



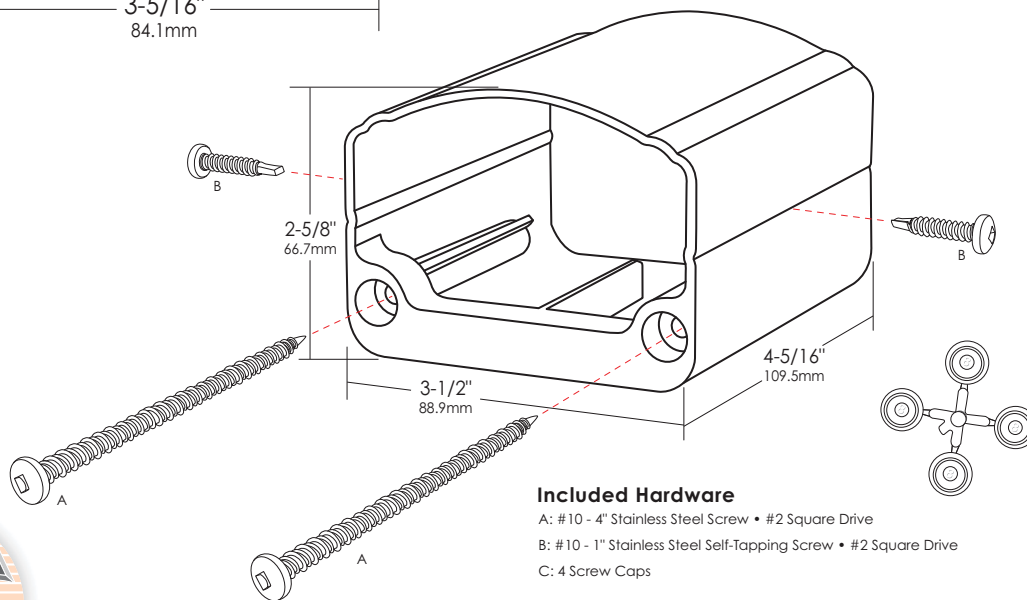
Tuscan Composite Railing



1-3/8" Square Composite Baluster



Stair Mounting Bracket
 Same Bracket for Top and Bottom Rail



Included Hardware

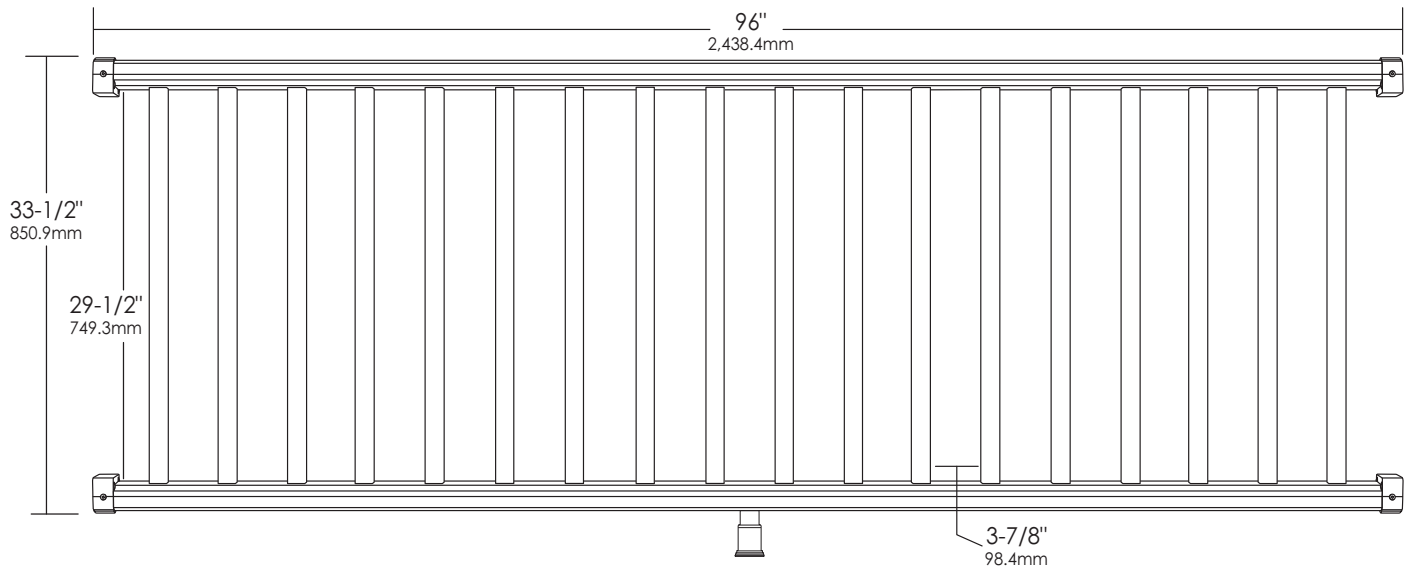
- A: # 10 - 4" Stainless Steel Screw • #2 Square Drive
- B: # 10 - 1" Stainless Steel Self-Tapping Screw • #2 Square Drive
- C: 4 Screw Caps



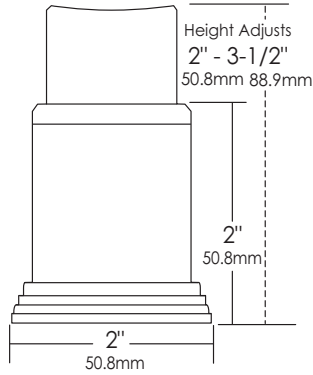
TUSCAN
 MANUFACTURING
 www.tuscanmfg.com

This drawing is the property of Tuscan Manufacturing. Any hard copy of this drawing may not be current. This document and or images contained within may not be reproduced in publication format without express written consent of Tuscan Manufacturing. Drawings may not be to scale.

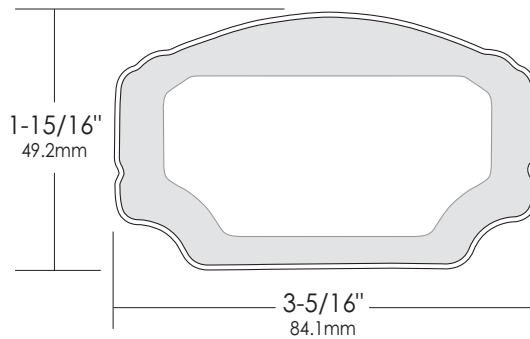
TUSCAN MANUFACTURING			
P.O. Box 185 Landisville, PA 17538			
UCM NUMBER	REF#	REV	
	T36-683L		
SCALE	SHEET#	DRAWN BY	DATE
	1 of 1	tuscan	7/22/09



Adjustable Foot Block



Tuscan Composite Railing

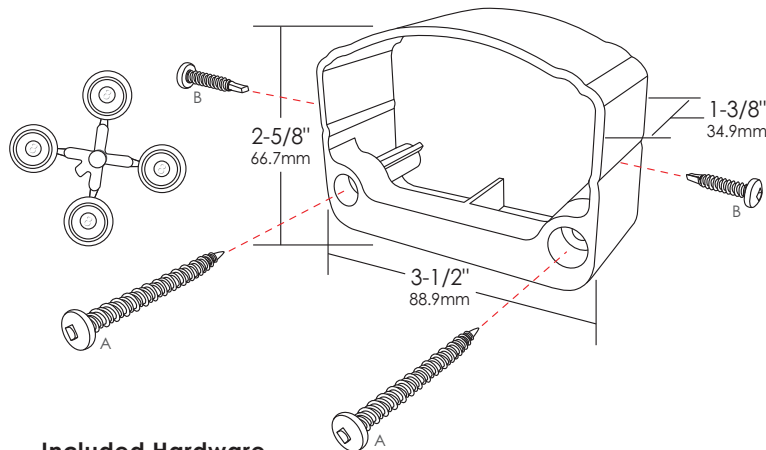


1-3/8" Square Composite Baluster



Level Mounting Bracket

Same Bracket for Top and Bottom Rail



Included Hardware

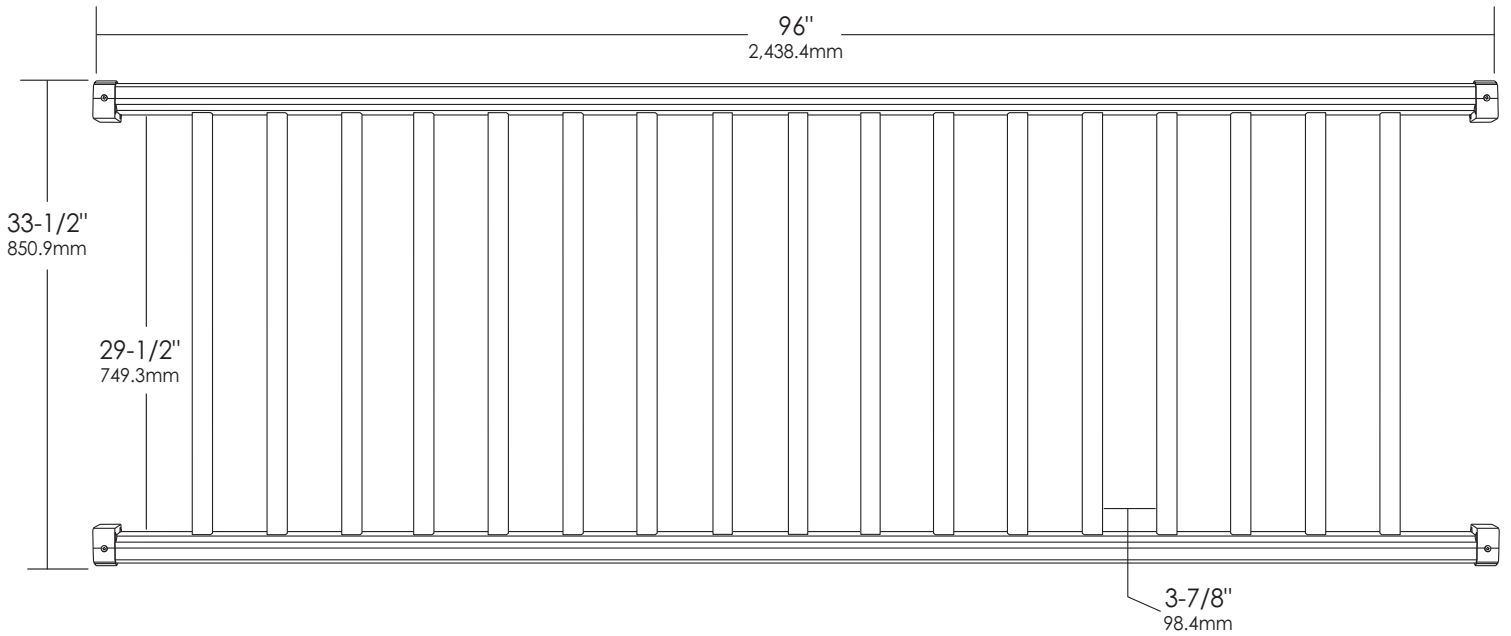
- A: #10 - 2" Stainless Steel Screw • #2 Square Drive
- B: #10 - 1" Stainless Steel Self-Tapping Screw • #2 Square Drive
- C: 4 Screw Caps



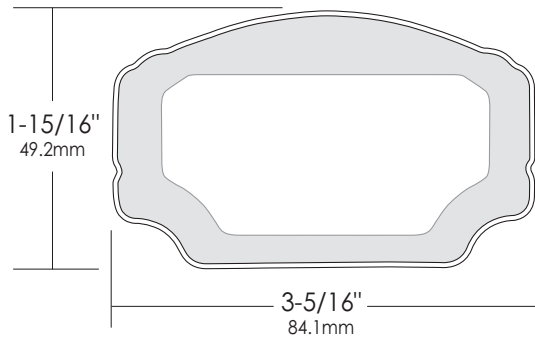
TUSCAN
MANUFACTURING
www.tuscanmfg.com

This drawing is the property of Tuscan Manufacturing.
 Any hard copy of this drawing may not be current.
 This document and or images contained within may not be reproduced in publication format without express written consent of Tuscan Manufacturing. Drawings may not be to scale.

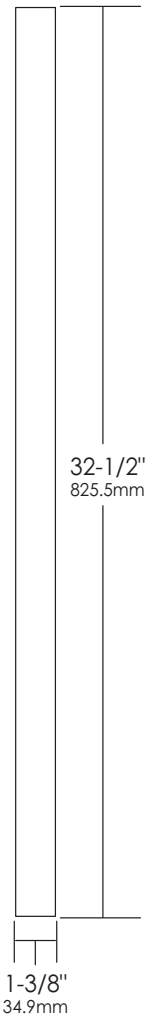
TUSCAN MANUFACTURING			
P.O. Box 185 Landisville, PA 17538			
UCM NUMBER	REF#	REV	
	T36-683S		
SCALE	SHEET#	DRAWN BY	DATE
	1 of 1	Tuscan	8/10/09



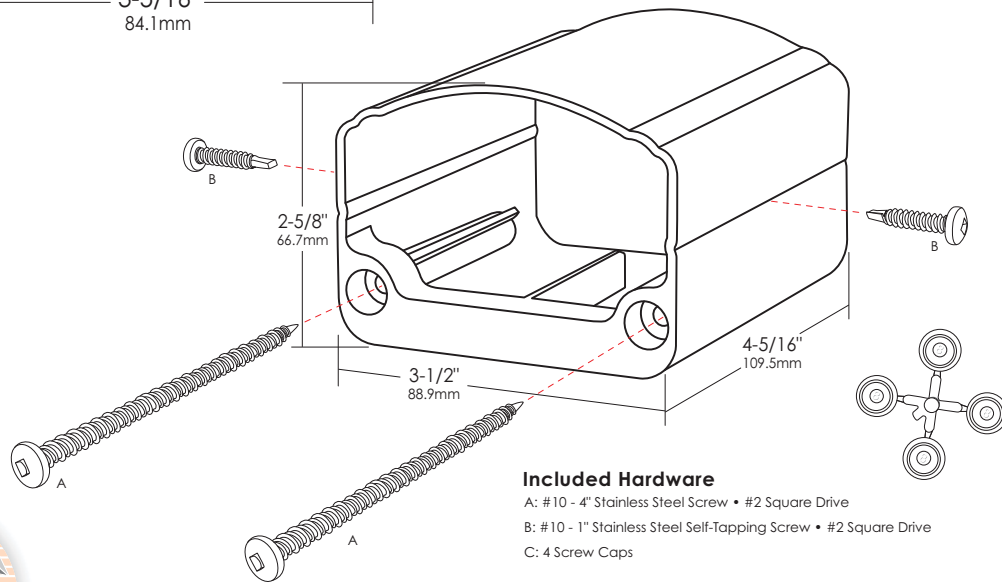
Tuscan Composite Railing



1-3/8" Square Composite Baluster



Stair Mounting Bracket
 Same Bracket for Top and Bottom Rail



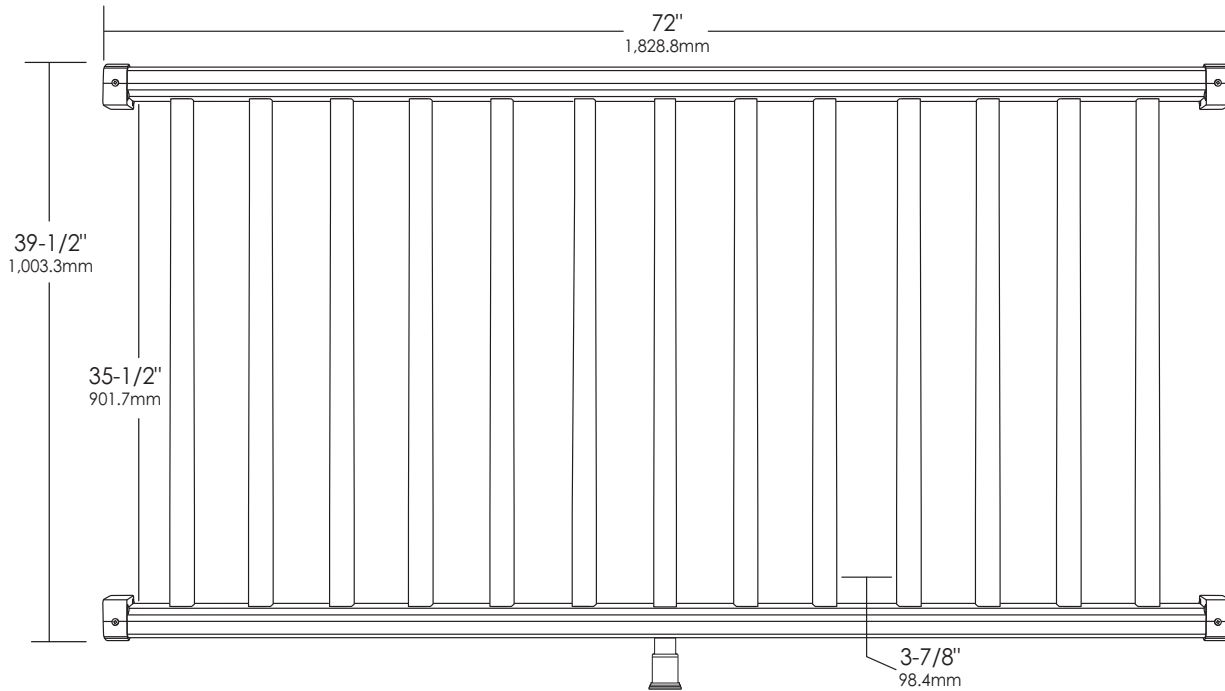
- Included Hardware**
- A: #10 - 4" Stainless Steel Screw • #2 Square Drive
 - B: #10 - 1" Stainless Steel Self-Tapping Screw • #2 Square Drive
 - C: 4 Screw Caps



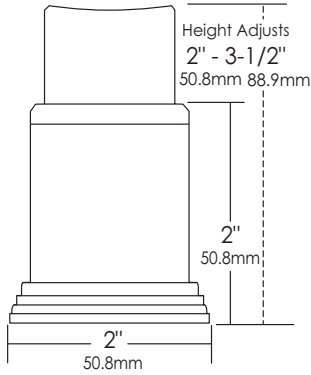
TUSCAN
 MANUFACTURING
 www.tuscanmfg.com

This drawing is the property of Tuscan Manufacturing. Any hard copy of this drawing may not be current. This document and or images contained within may not be reproduced in publication format without express written consent of Tuscan Manufacturing. Drawings may not be to scale.

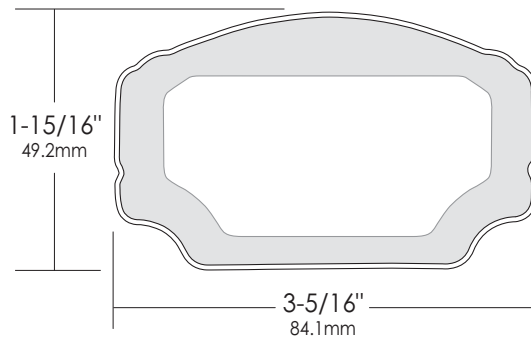
TUSCAN MANUFACTURING			
P.O. Box 185 Landisville, PA 17538			
UCM inch/mm	REF#	REV	
	T42-663L		
SCALE	SHEET#	DRAWN BY	DATE
	1 of 1	tuscan	8/7/09



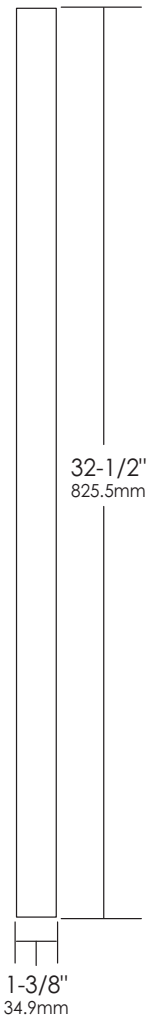
Adjustable Foot Block



Tuscan Composite Railing

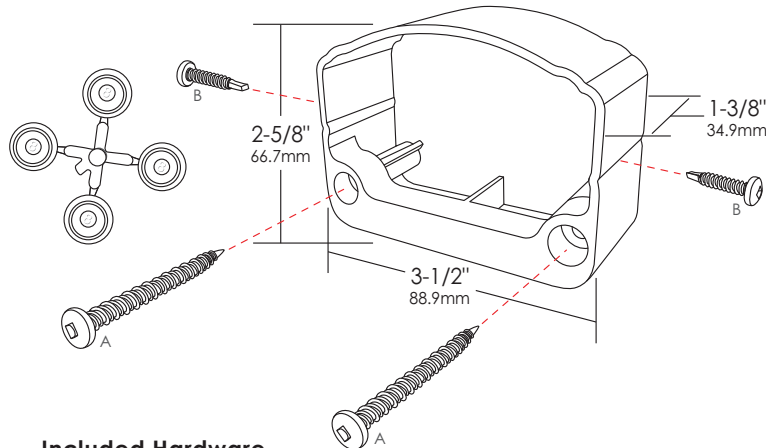


1-3/8" Square Composite Baluster



Level Mounting Bracket

Same Bracket for Top and Bottom Rail



Included Hardware

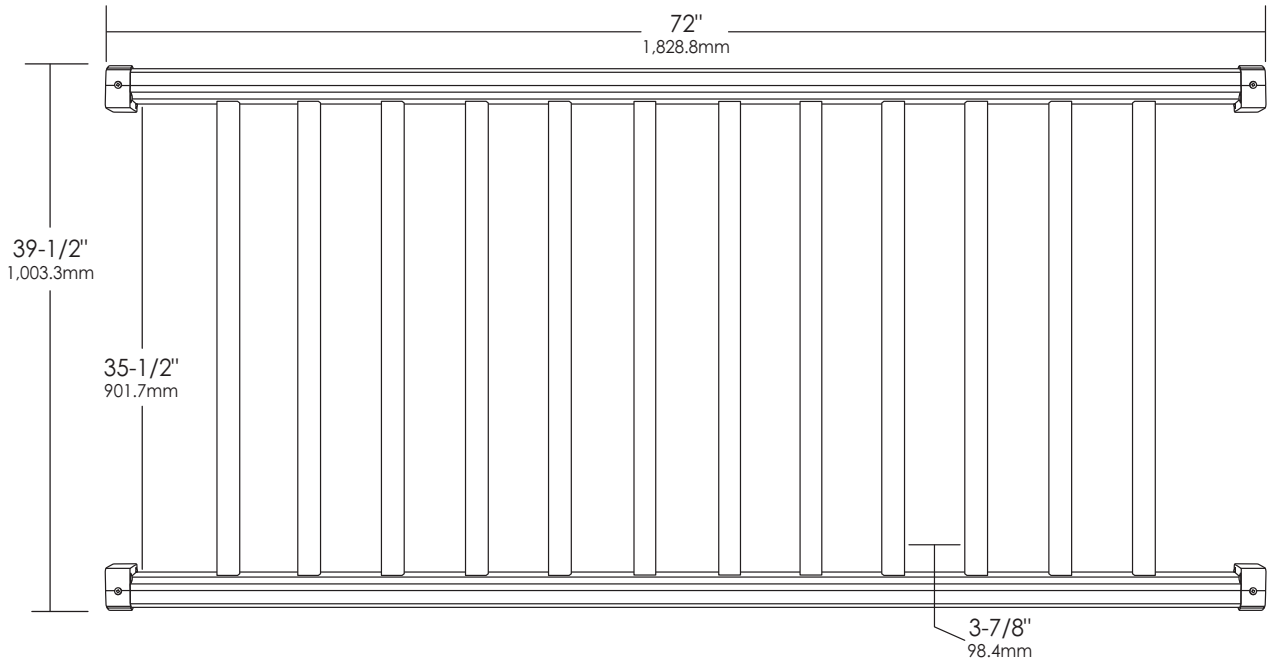
- A: #10 - 2" Stainless Steel Screw • #2 Square Drive
- B: #10 - 1" Stainless Steel Self-Tapping Screw • #2 Square Drive
- C: 4 Screw Caps



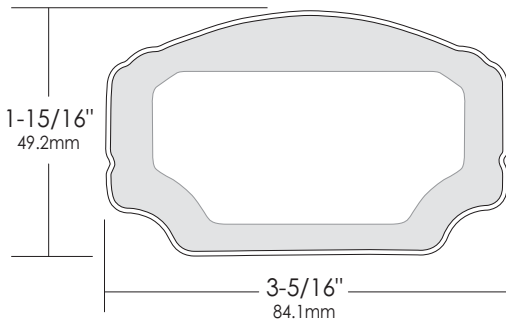
TUSCAN
MANUFACTURING
www.tuscanmfg.com

This drawing is the property of Tuscan Manufacturing.
 Any hard copy of this drawing may not be current.
 This document and or images contained within may not be reproduced in publication format without express written consent of Tuscan Manufacturing. Drawings may not be to scale.

TUSCAN MANUFACTURING			
P.O. Box 185 Landisville, PA 17538			
UCM REF#	T42-663S	DATE	8/10/09
SCALE	SHEET#	DRAWN BY	REV
	1 of 1	Tuscan	

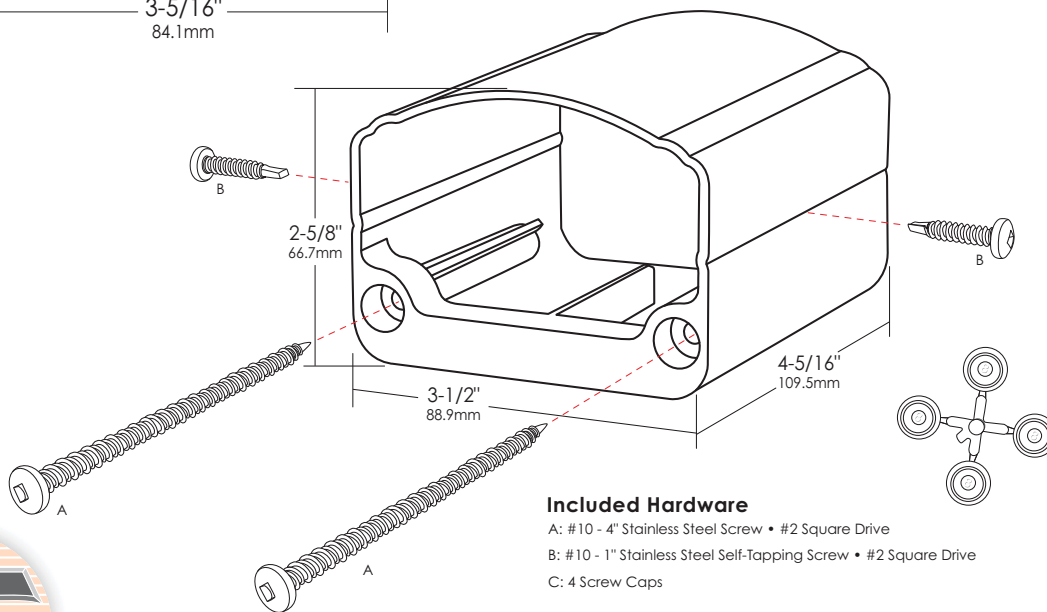


Tuscan Composite Railing



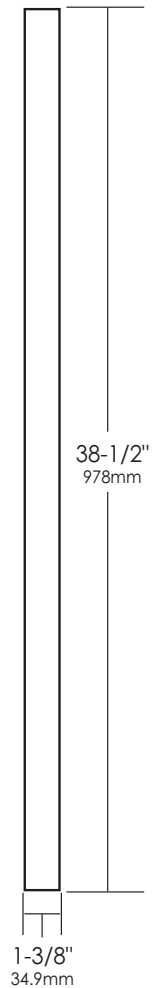
1-3/8\" Square Composite Baluster

Stair Mounting Bracket
 Same Bracket for Top and Bottom Rail



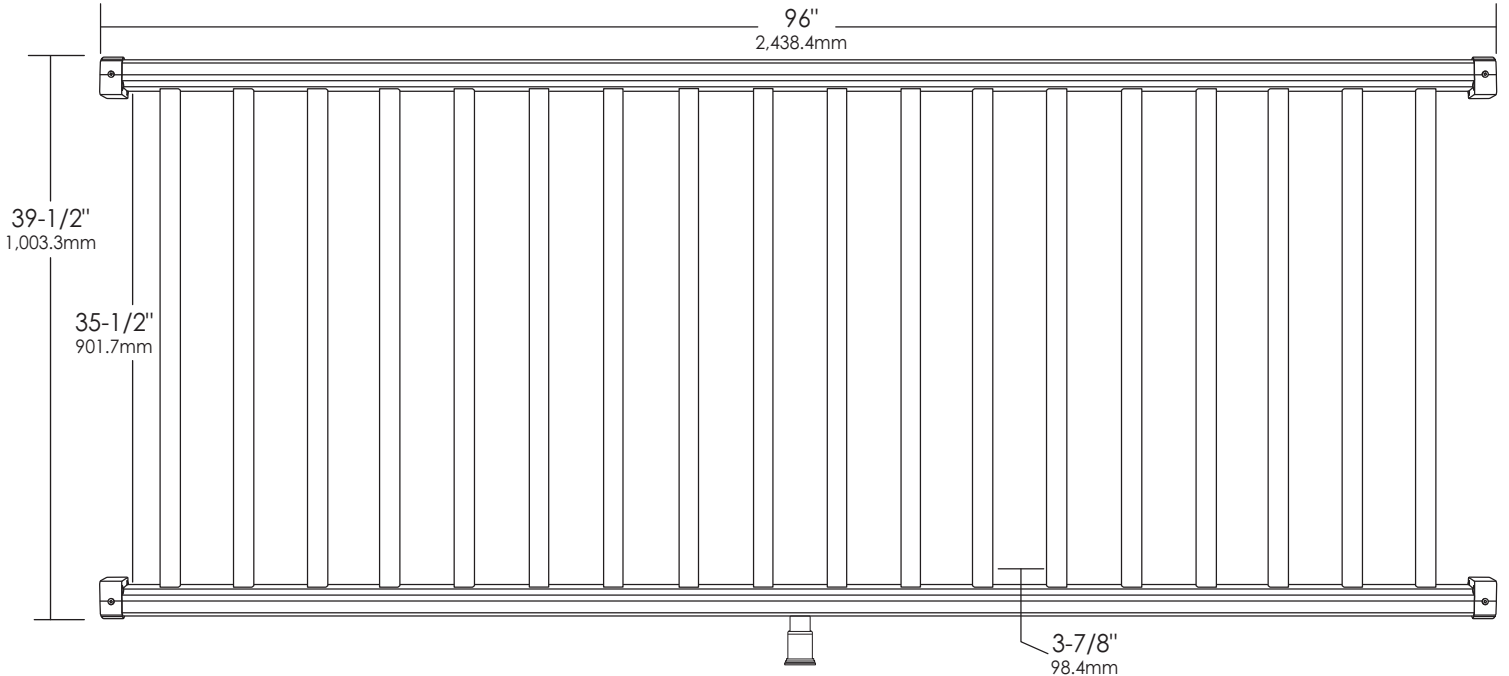
Included Hardware

- A: #10 - 4\" Stainless Steel Screw • #2 Square Drive
- B: #10 - 1\" Stainless Steel Self-Tapping Screw • #2 Square Drive
- C: 4 Screw Caps

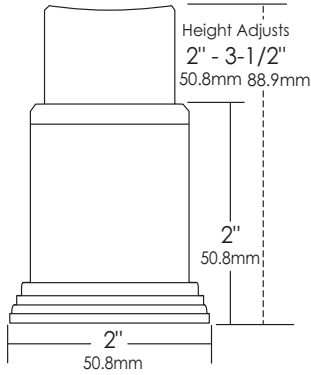


This drawing is the property of Tuscan Manufacturing. Any hard copy of this drawing may not be current. This document and or images contained within may not be reproduced in publication format without express written consent of Tuscan Manufacturing. Drawings may not be to scale.

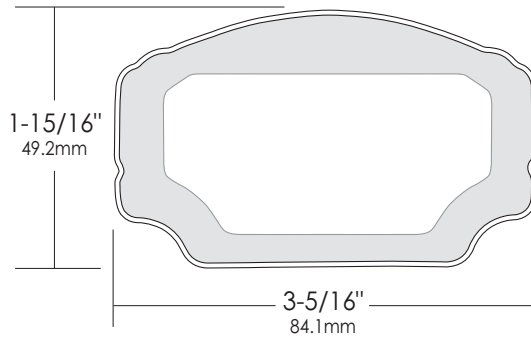
TUSCAN MANUFACTURING			
P.O. Box 185 Landisville, PA 17538			
UCM inch/mm	REF#	REV	
SCALE	SHEET#	DRAWN BY	DATE
	1 of 1	tuscan	8/7/09



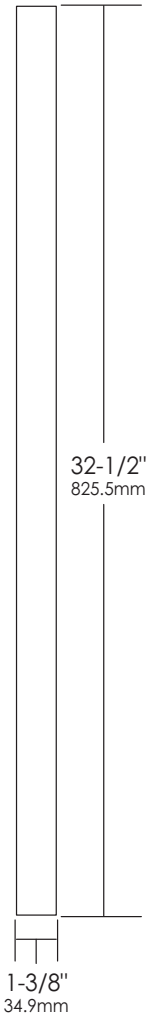
Adjustable Foot Block



Tuscan Composite Railing

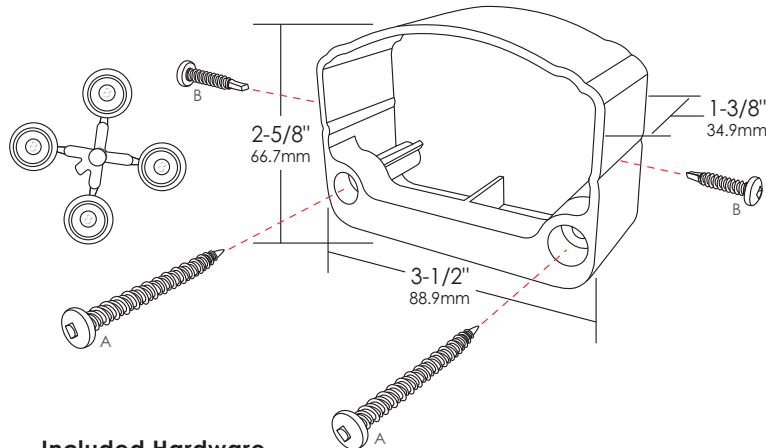


1-3/8" Square Composite Baluster



Level Mounting Bracket

Same Bracket for Top and Bottom Rail



Included Hardware

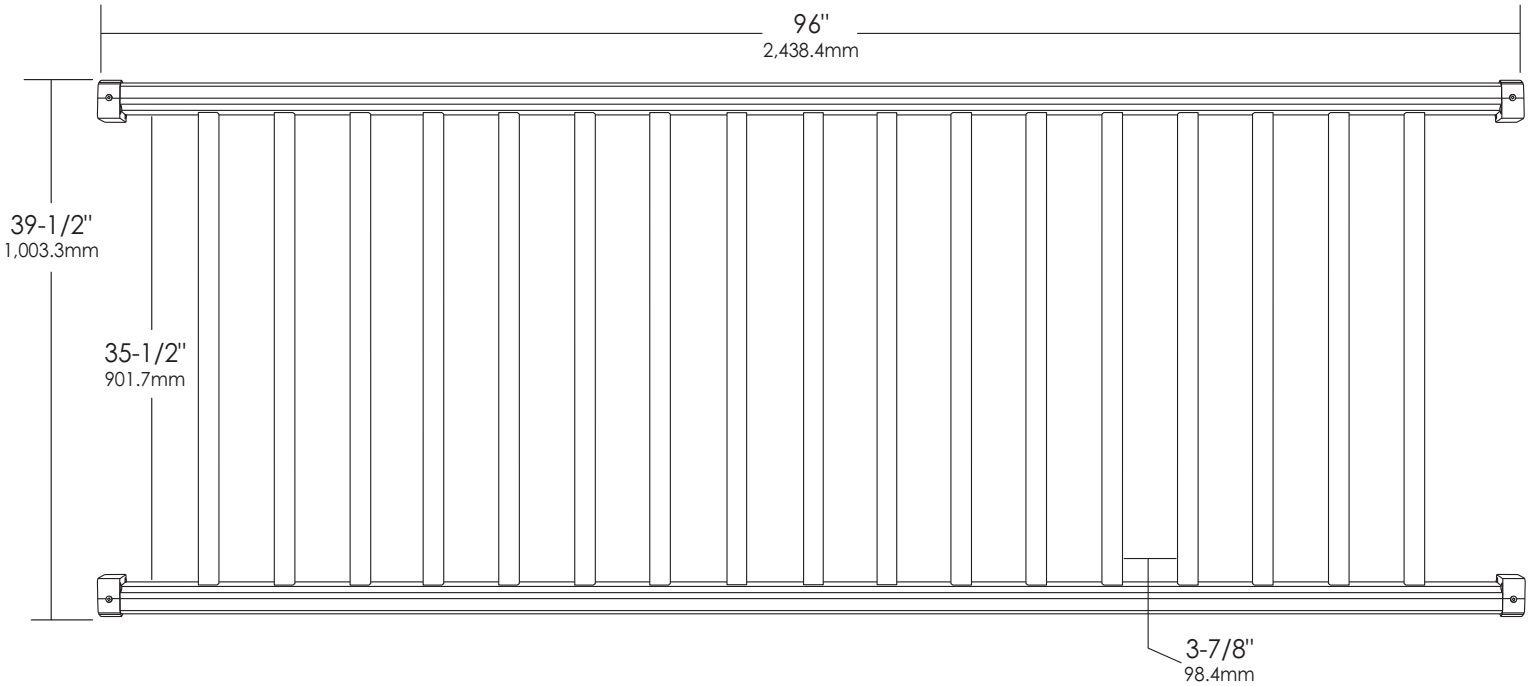
- A: #10 - 2" Stainless Steel Screw • #2 Square Drive
- B: #10 - 1" Stainless Steel Self-Tapping Screw • #2 Square Drive
- C: 4 Screw Caps



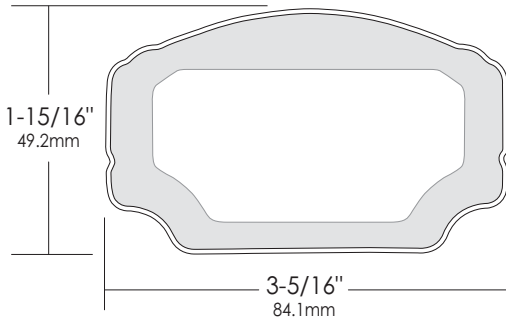
TUSCAN
MANUFACTURING
www.tuscanmfg.com

This drawing is the property of Tuscan Manufacturing. Any hard copy of this drawing may not be current. This document and or images contained within may not be reproduced in publication format without express written consent of Tuscan Manufacturing. Drawings may not be to scale.

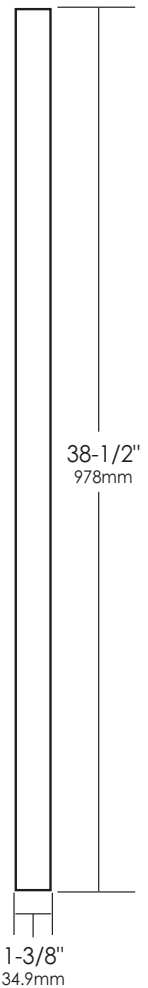
TUSCAN MANUFACTURING			
P.O. Box 185 Landisville, PA 17538			
UCM NUMBER	REF#	REV	
	T42-683S		
SCALE	SHEET#	DRAWN BY	DATE
	1 of 1	Tuscan	8/10/09



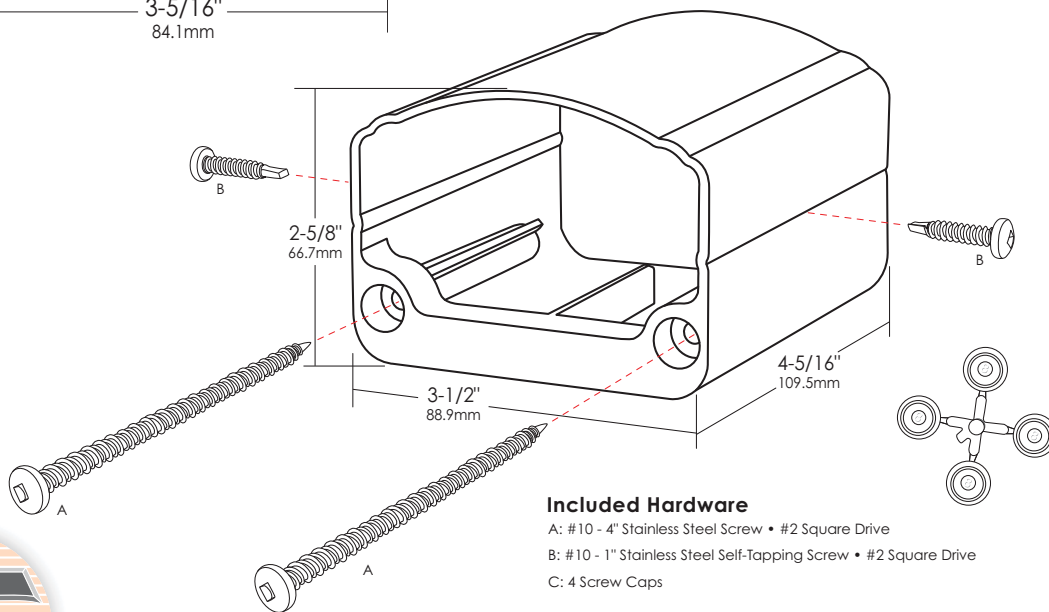
Tuscan Composite Railing



1-3/8" Square Composite Baluster



Stair Mounting Bracket
Same Bracket for Top and Bottom Rail



Included Hardware

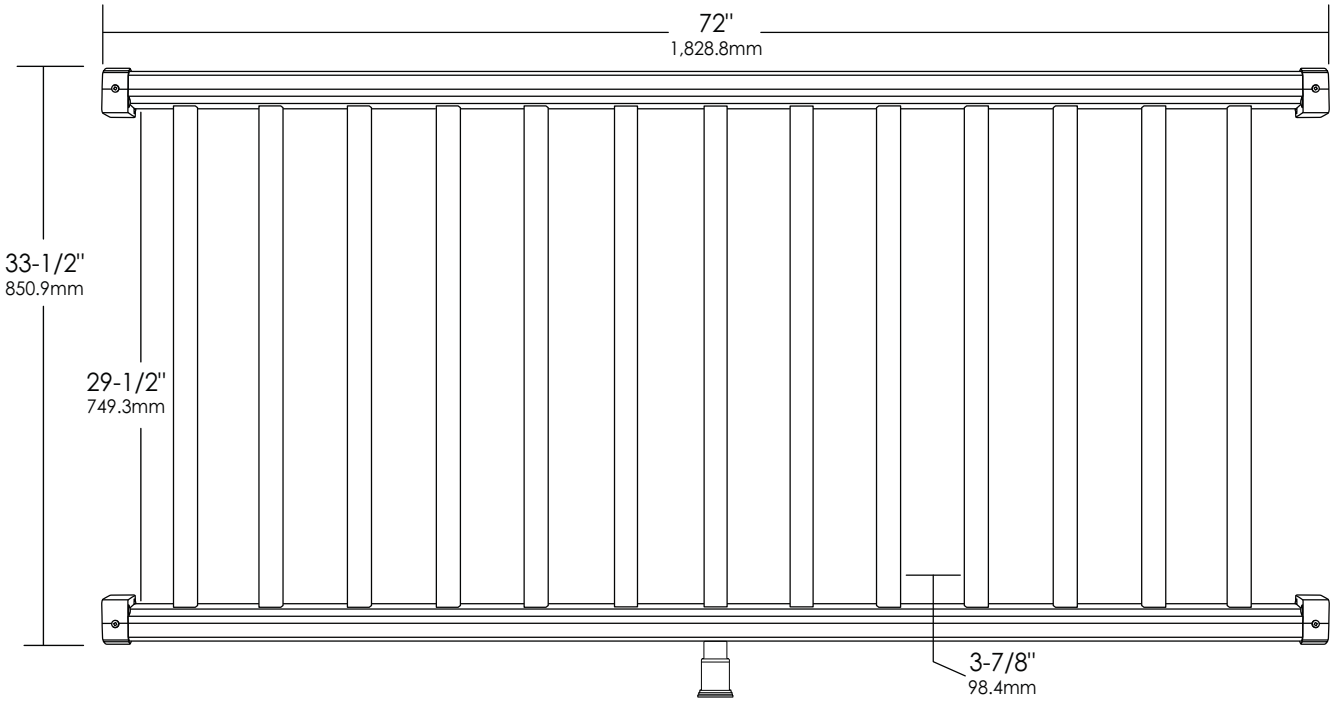
- A: #10 - 4" Stainless Steel Screw • #2 Square Drive
- B: #10 - 1" Stainless Steel Self-Tapping Screw • #2 Square Drive
- C: 4 Screw Caps



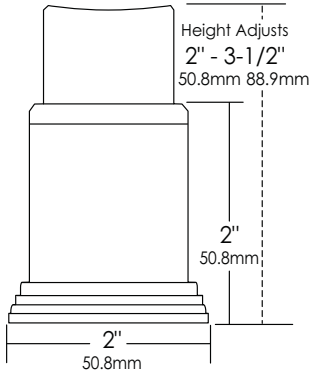
TUSCAN
MANUFACTURING
www.tuscanmfg.com

This drawing is the property of Tuscan Manufacturing. Any hard copy of this drawing may not be current. This document and or images contained within may not be reproduced in publication format without express written consent of Tuscan Manufacturing. Drawings may not be to scale.

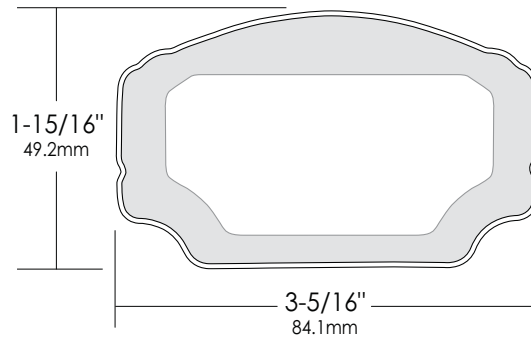
TUSCAN MANUFACTURING			
P.O. Box 185 Landisville, PA 17538			
UCM NUMBER	REF#	REV	
	T36-661L		
SCALE	SHEET#	DRAWN BY	DATE
	1 of 1	tuscan	8/10/09



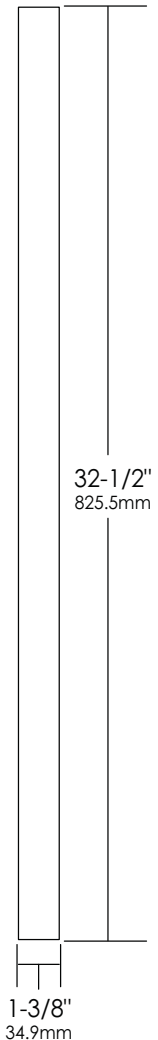
Adjustable Foot Block



Tuscan Composite Railing

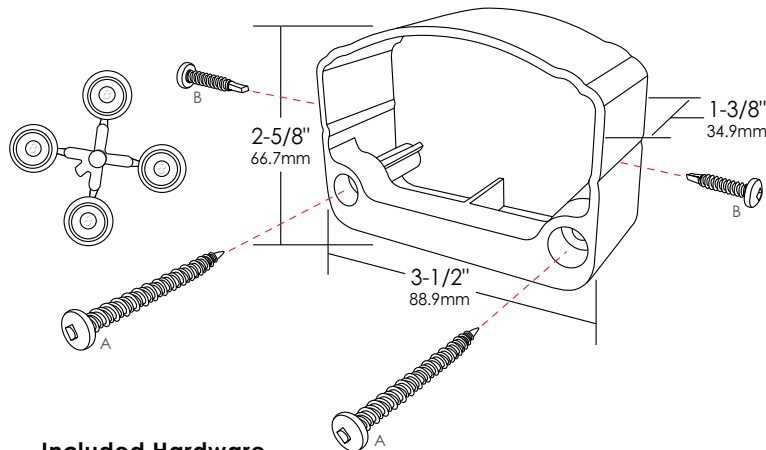


1-3/8" Square Vinyl Baluster



Level Mounting Bracket

Same Bracket for Top and Bottom Rail



Included Hardware

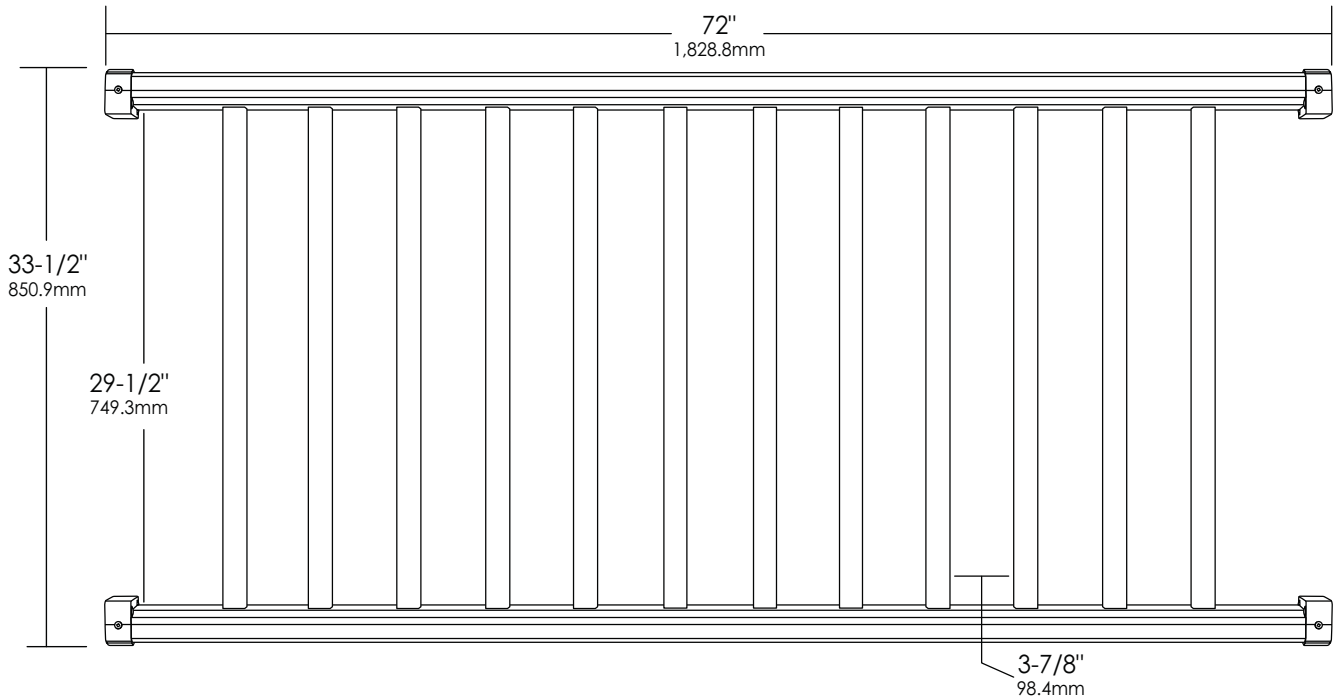
- A: #10 - 2" Stainless Steel Screw • #2 Square Drive
- B: #10 - 1" Stainless Steel Self-Tapping Screw • #2 Square Drive
- C: 4 Screw Caps



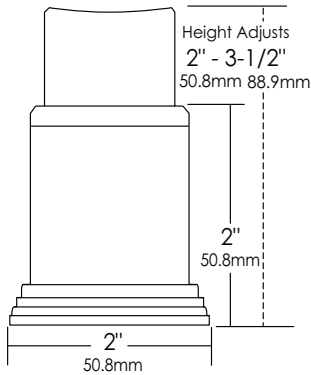
TUSCAN
MANUFACTURING
www.tuscanmfg.com

This drawing is the property of Tuscan Manufacturing. Any hard copy of this drawing may not be current. This document and or images contained within may not be reproduced in publication format without express written consent of Tuscan Manufacturing. Drawings may not be to scale.

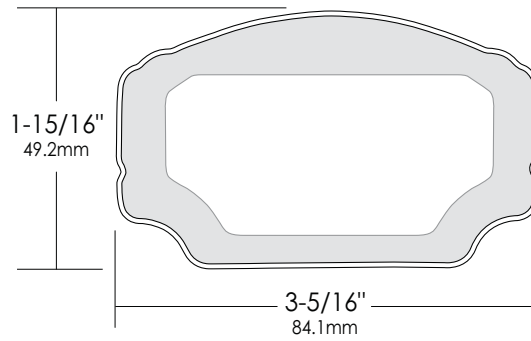
TUSCAN MANUFACTURING			
P.O. Box 185 Landisville, PA 17538			
UCM SHEET#	REF# T36-661S	REV	
SCALE	SHEET# 1 of 1	DRAWN BY Tuscan	DATE 8/10/09



Adjustable Foot Block



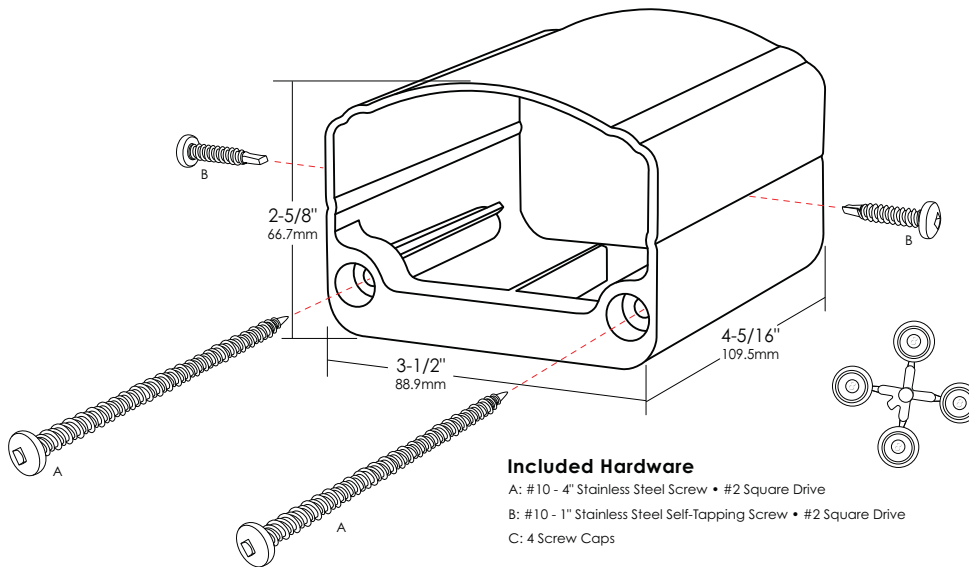
Tuscan Composite Railing



1-3/8\" Square Vinyl Baluster



Stair Mounting Bracket
Same Bracket for Top and Bottom Rail



Included Hardware

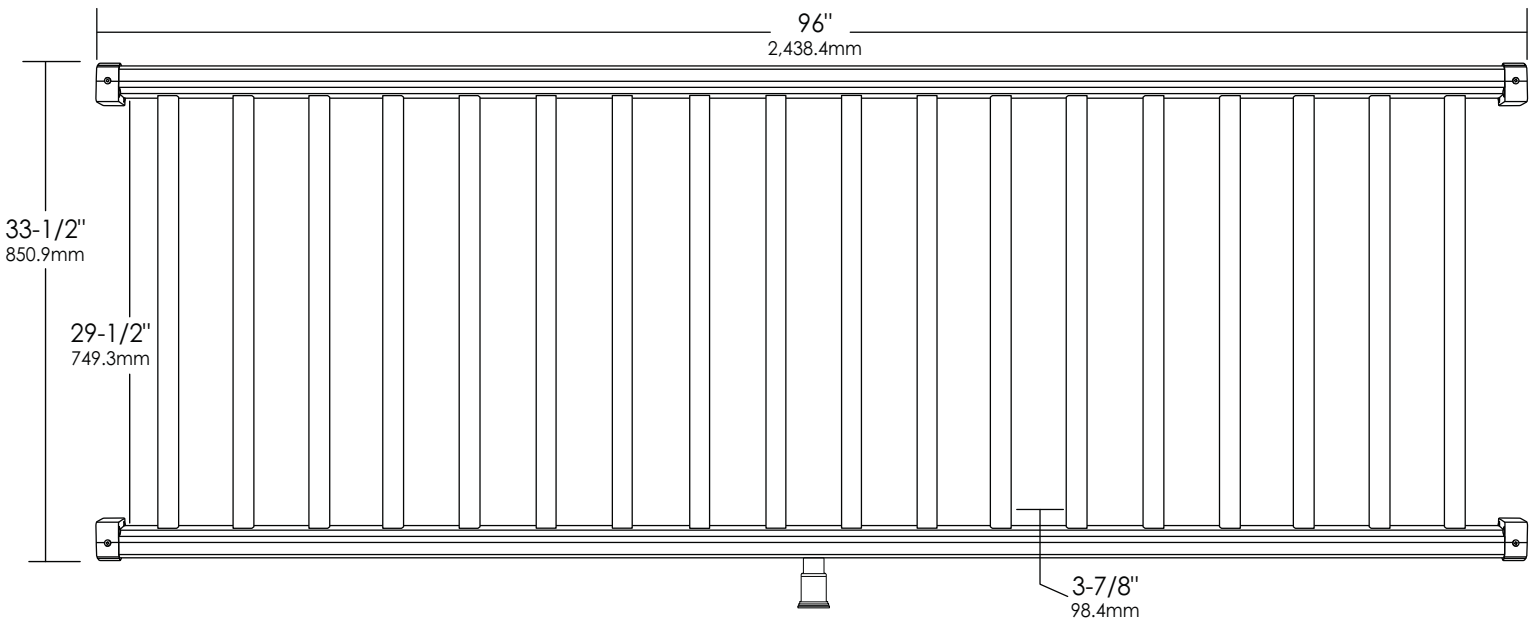
- A: #10 - 4\" Stainless Steel Screw • #2 Square Drive
- B: #10 - 1\" Stainless Steel Self-Tapping Screw • #2 Square Drive
- C: 4 Screw Caps



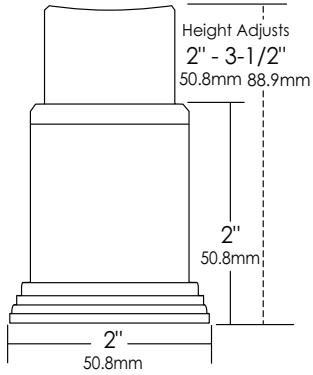
TUSCAN
MANUFACTURING
www.tuscanmfg.com

This drawing is the property of Tuscan Manufacturing. Any hard copy of this drawing may not be current. This document and or images contained within may not be reproduced in publication format without express written consent of Tuscan Manufacturing. Drawings may not be to scale.

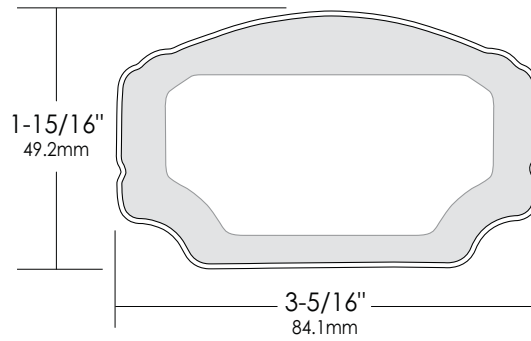
TUSCAN MANUFACTURING			
P.O. Box 185 Landisville, PA 17538			
UCM SHEET#	REF# T36-681L	DRAWN BY Tuscan	DATE 8/10/09
SCALE	SHEET# 1 of 1	DRAWN BY	DATE



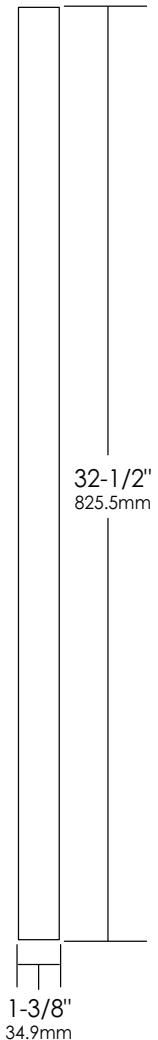
Adjustable Foot Block



Tuscan Composite Railing

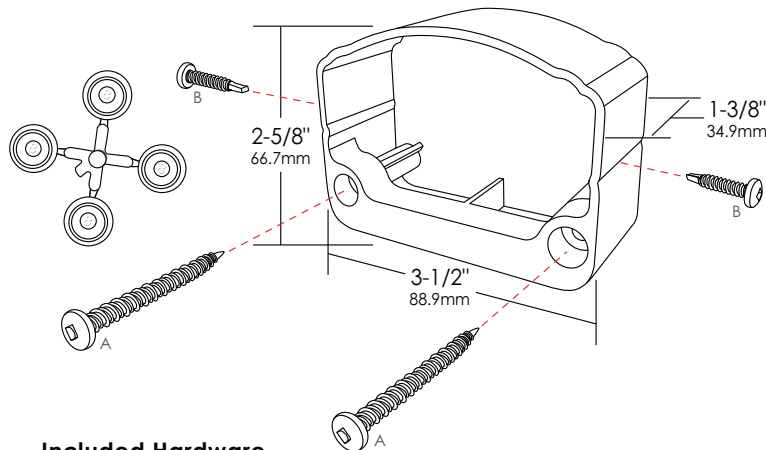


1-3/8" Square Vinyl Baluster



Level Mounting Bracket

Same Bracket for Top and Bottom Rail



Included Hardware

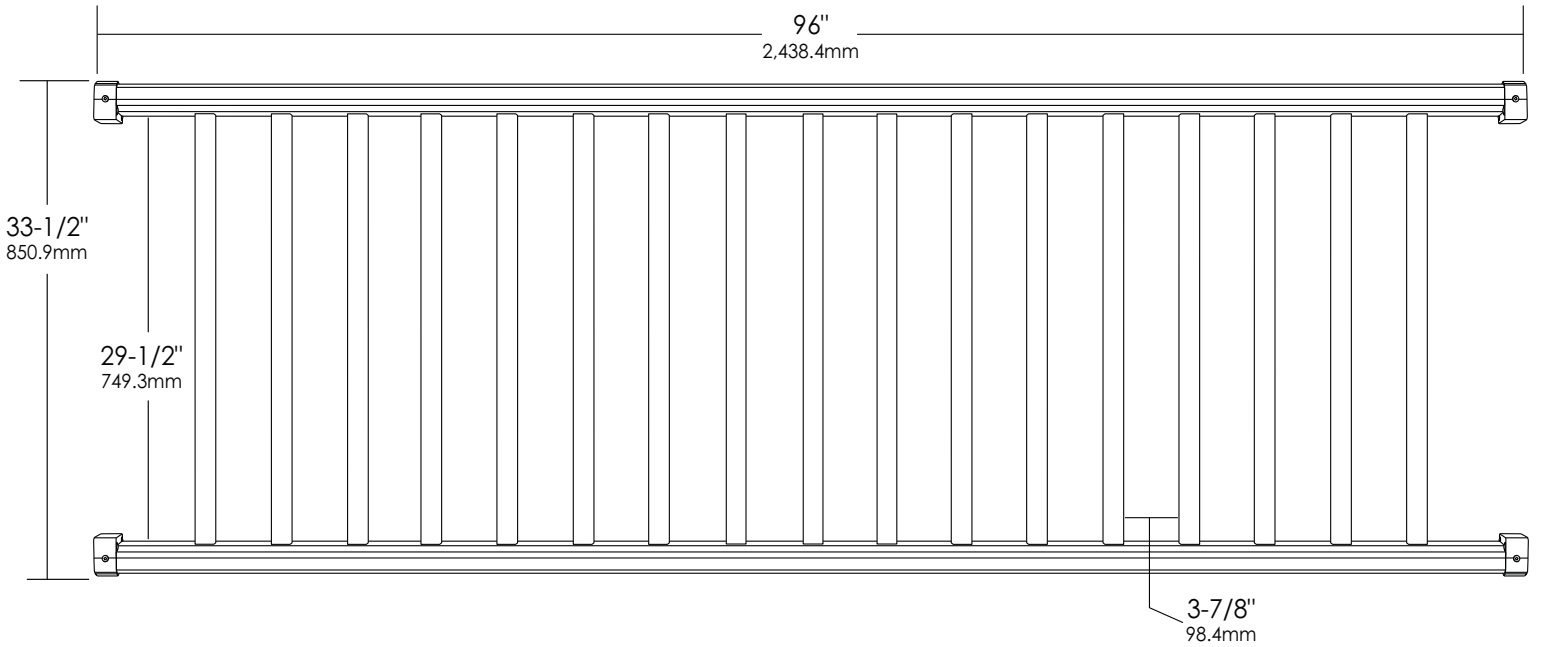
- A: #10 - 2" Stainless Steel Screw • #2 Square Drive
- B: #10 - 1" Stainless Steel Self-Tapping Screw • #2 Square Drive
- C: 4 Screw Caps



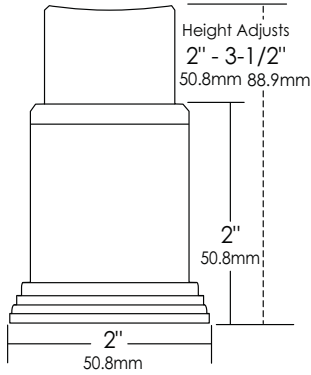
TUSCAN
MANUFACTURING
www.tuscanmfg.com

This drawing is the property of Tuscan Manufacturing. Any hard copy of this drawing may not be current. This document and or images contained within may not be reproduced in publication format without express written consent of Tuscan Manufacturing. Drawings may not be to scale.

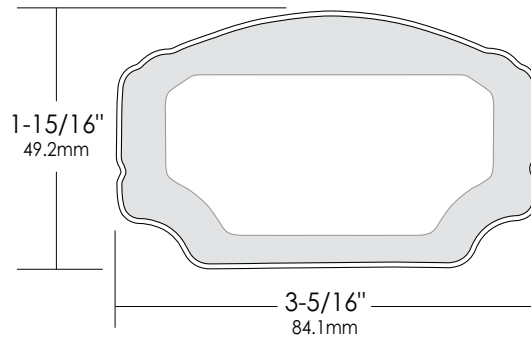
TUSCAN MANUFACTURING			
P.O. Box 185 Landisville, PA 17538			
UCM REF#	T36-681S	REV	
SCALE	SHEET#	DRAWN BY	DATE
	1 of 1	Tuscan	8/10/09



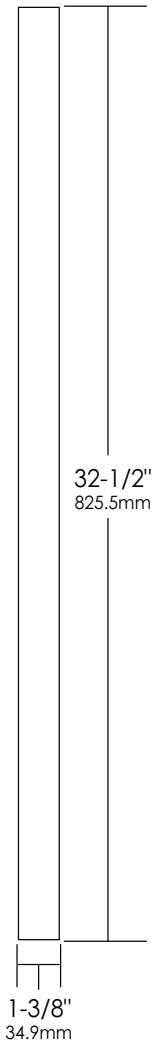
Adjustable Foot Block



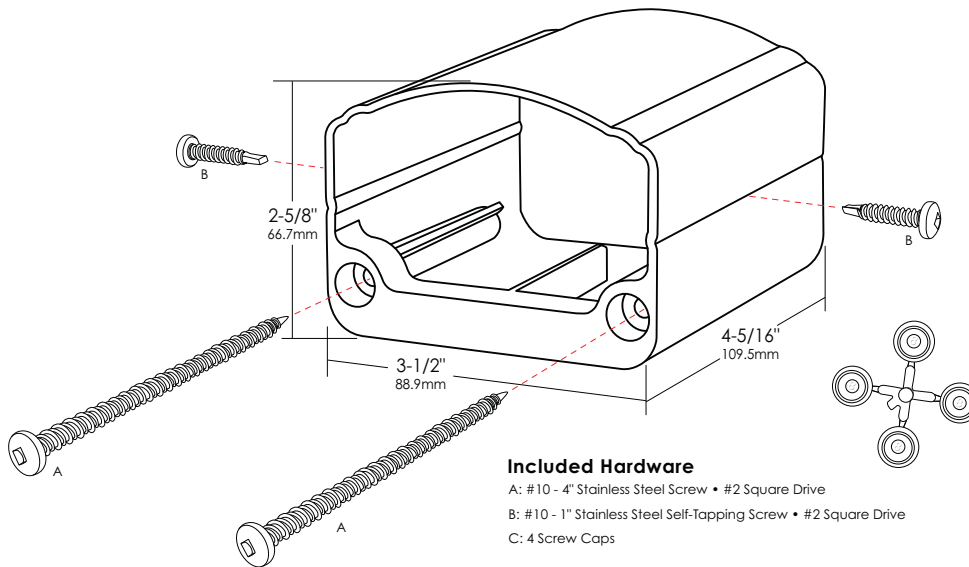
Tuscan Composite Railing



1-3/8" Square Vinyl Baluster



Stair Mounting Bracket
Same Bracket for Top and Bottom Rail



Included Hardware

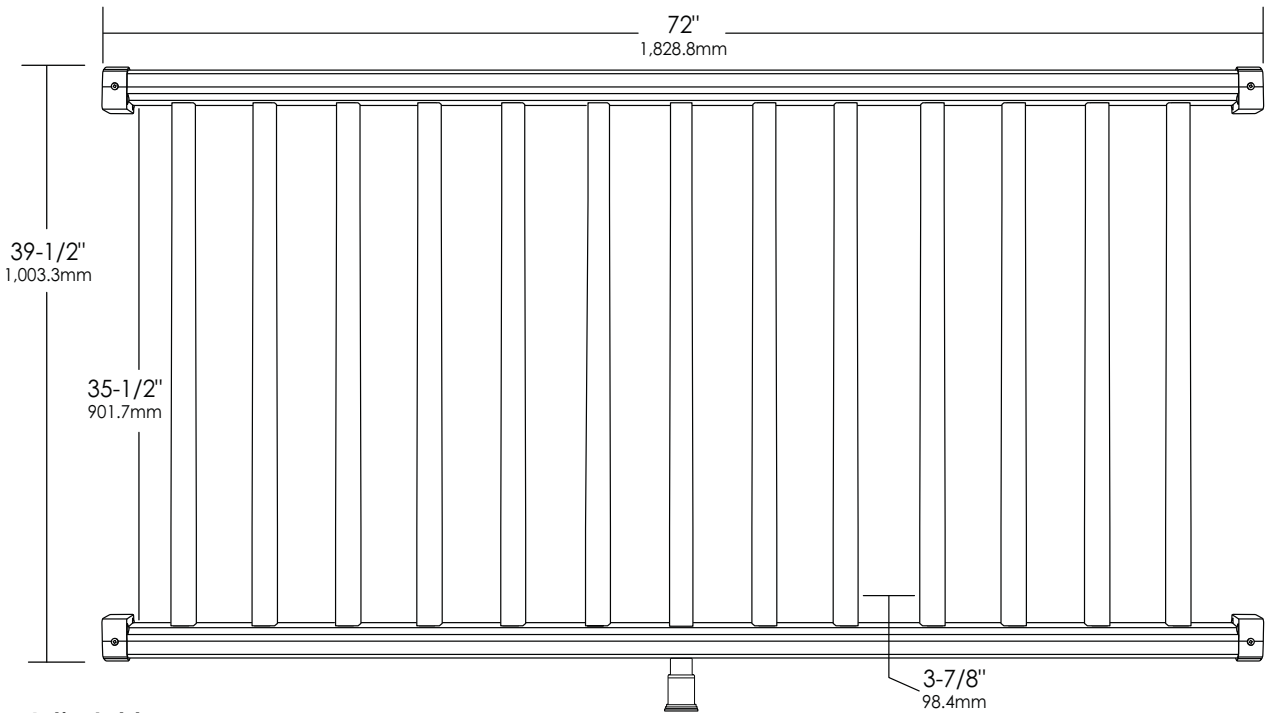
- A: #10 - 4" Stainless Steel Screw • #2 Square Drive
- B: #10 - 1" Stainless Steel Self-Tapping Screw • #2 Square Drive
- C: 4 Screw Caps



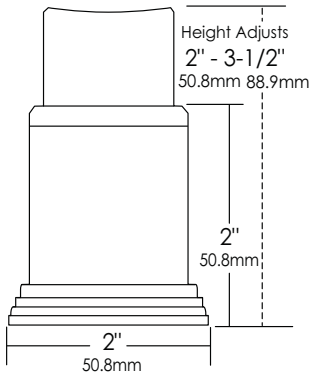
TUSCAN
MANUFACTURING
www.tuscanmfg.com

This drawing is the property of Tuscan Manufacturing. Any hard copy of this drawing may not be current. This document and or images contained within may not be reproduced in publication format without express written consent of Tuscan Manufacturing. Drawings may not be to scale.

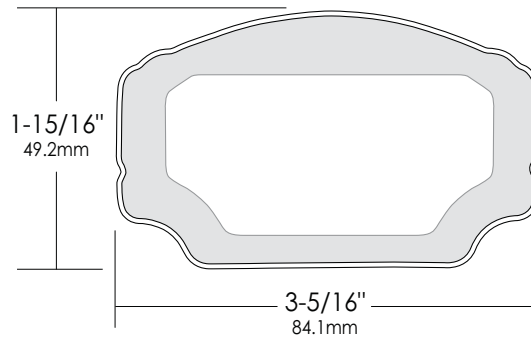
TUSCAN MANUFACTURING			
P.O. Box 185 Landisville, PA 17538			
UCM (CUSTOMER)	REF#	REV	
	T42-661L		
SCALE	SHEET#	DRAWN BY	DATE
	1 of 1	Tuscan	8/10/09



Adjustable Foot Block



Tuscan Composite Railing

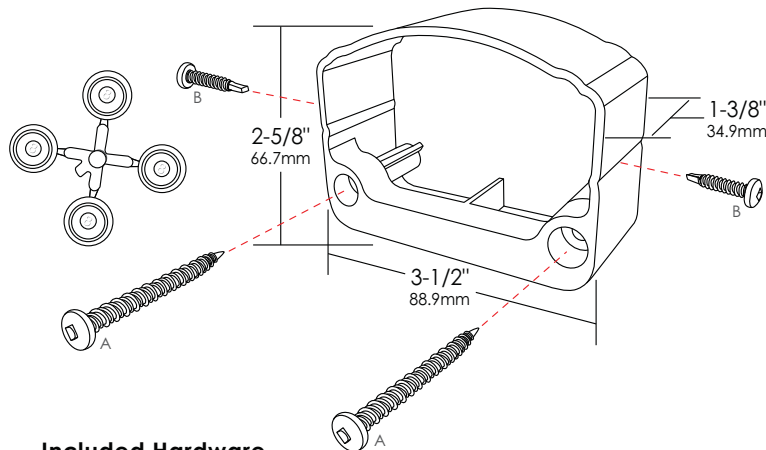


1-3/8" Square Vinyl Baluster



Level Mounting Bracket

Same Bracket for Top and Bottom Rail



Included Hardware

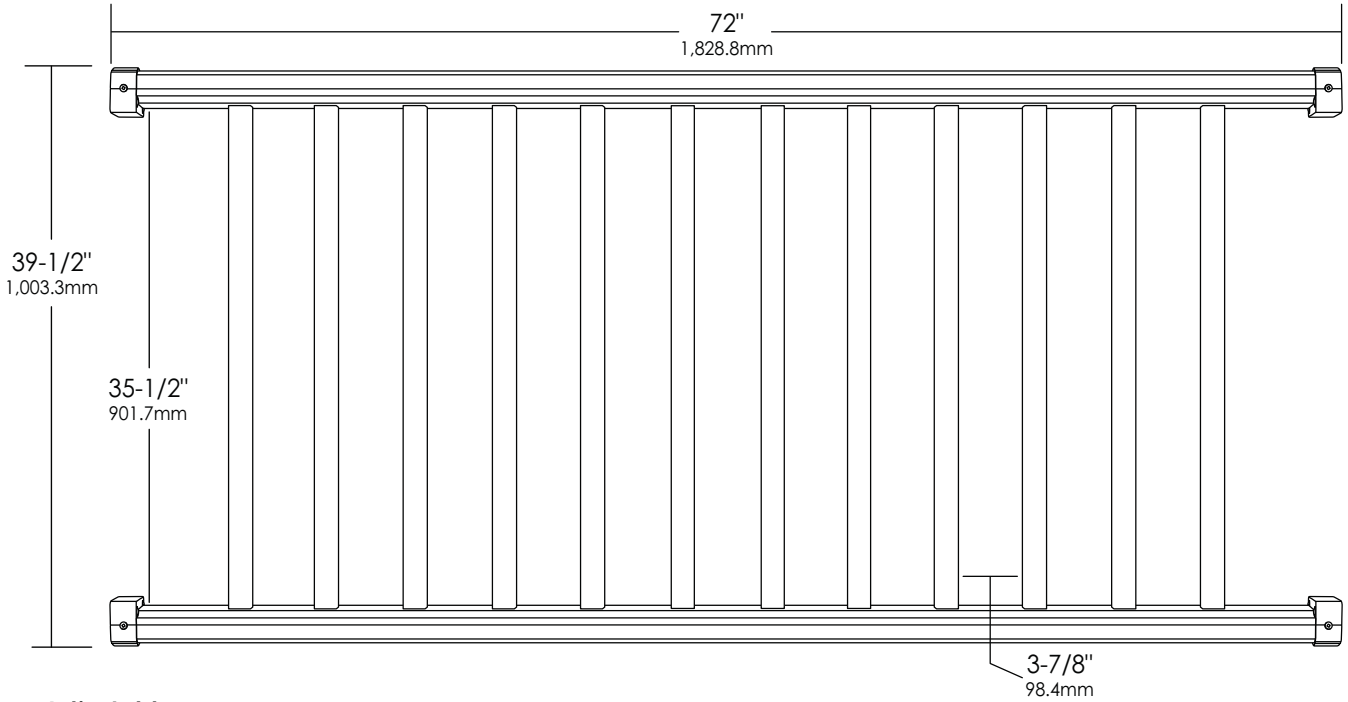
- A: #10 - 2" Stainless Steel Screw • #2 Square Drive
- B: #10 - 1" Stainless Steel Self-Tapping Screw • #2 Square Drive
- C: 4 Screw Caps



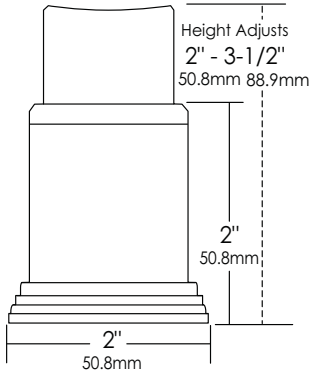
TUSCAN
MANUFACTURING
www.tuscanmfg.com

This drawing is the property of Tuscan Manufacturing. Any hard copy of this drawing may not be current. This document and or images contained within may not be reproduced in publication format without express written consent of Tuscan Manufacturing. Drawings may not be to scale.

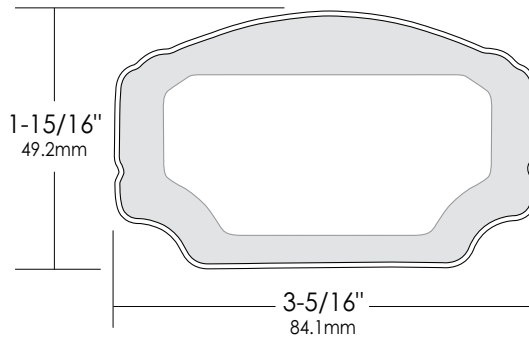
TUSCAN MANUFACTURING			
P.O. Box 185 Landisville, PA 17538			
UCM NUMBER	REF#	REV	
	T42-661S		
SCALE	SHEET#	DRAWN BY	DATE
	1 of 1	Tuscan	8/10/09



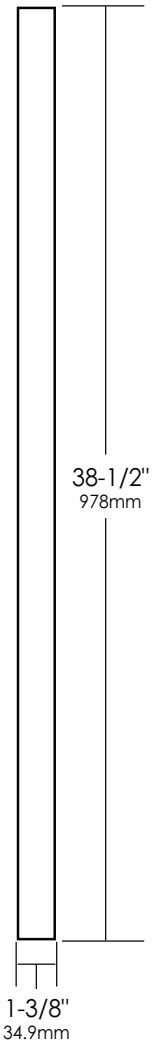
Adjustable Foot Block



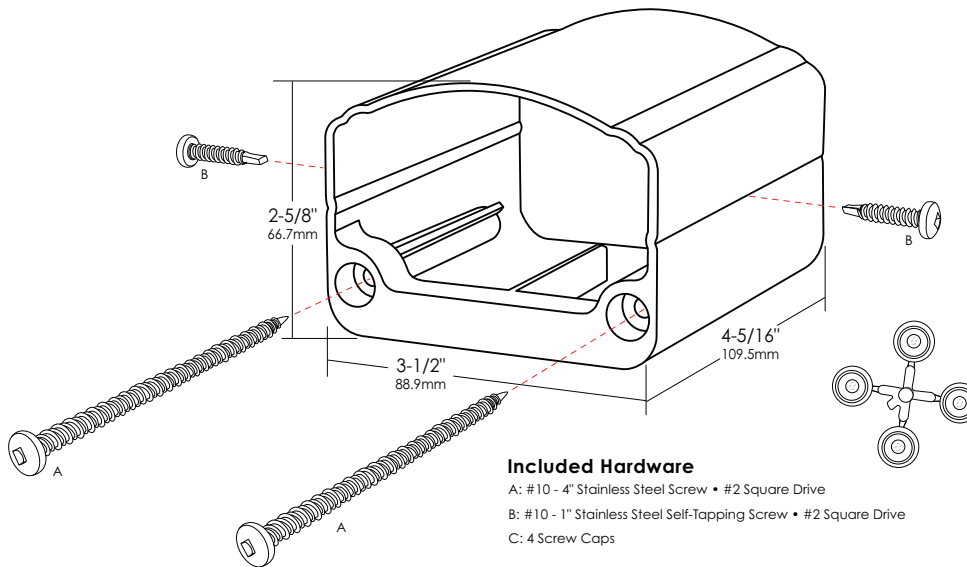
Tuscan Composite Railing



1-3/8\" Square Vinyl Baluster



Stair Mounting Bracket
Same Bracket for Top and Bottom Rail



Included Hardware

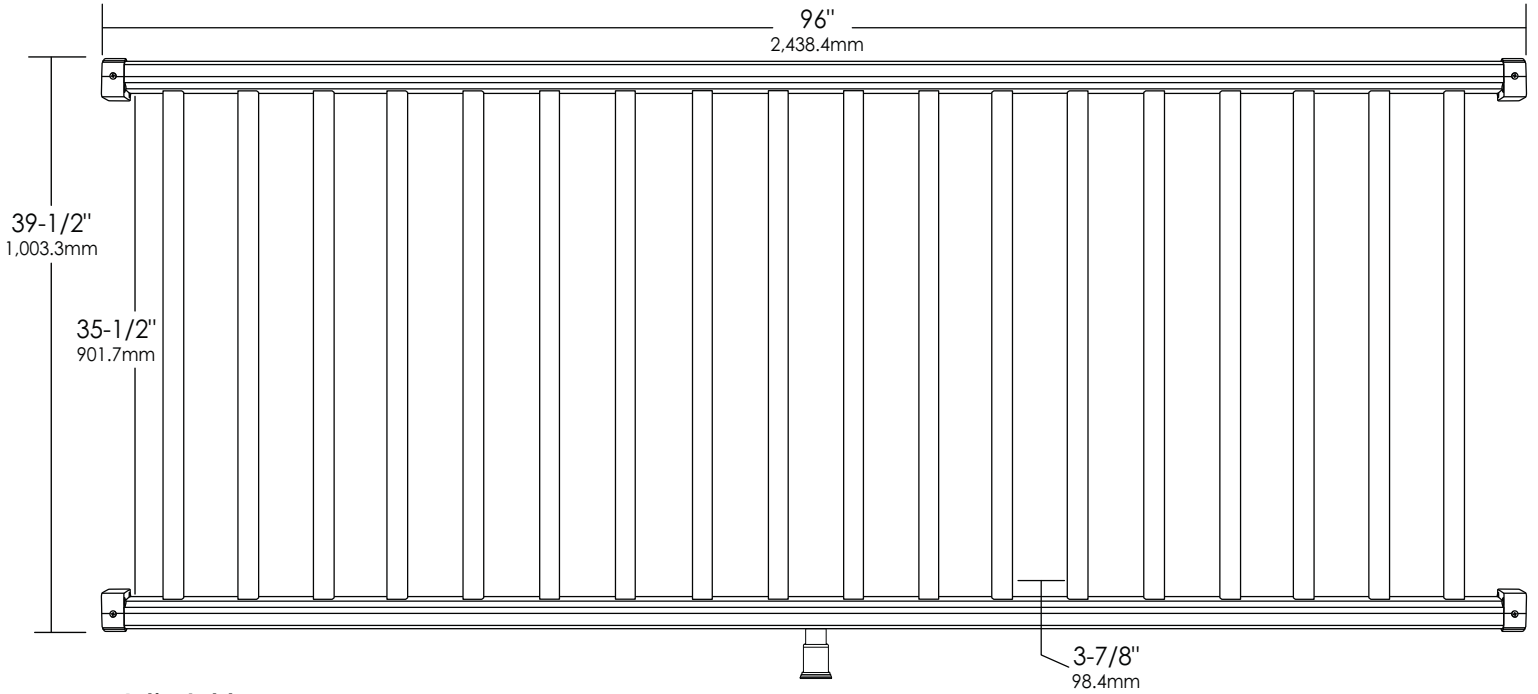
- A: #10 - 4\" Stainless Steel Screw • #2 Square Drive
- B: #10 - 1\" Stainless Steel Self-Tapping Screw • #2 Square Drive
- C: 4 Screw Caps



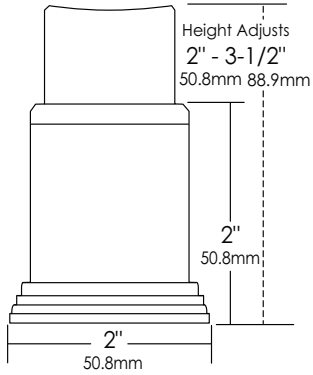
TUSCAN
MANUFACTURING
www.tuscanmfg.com

This drawing is the property of Tuscan Manufacturing. Any hard copy of this drawing may not be current. This document and or images contained within may not be reproduced in publication format without express written consent of Tuscan Manufacturing. Drawings may not be to scale.

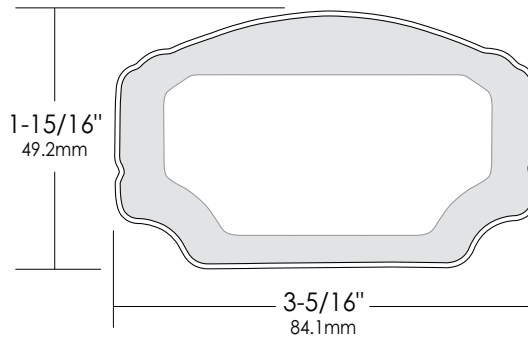
TUSCAN MANUFACTURING			
P.O. Box 185 Landisville, PA 17538			
UCM PROJECT#	REF# T42-681L	REV	
SCALE	SHEET# 1 of 1	DRAWN BY Tuscan	DATE 8/10/09



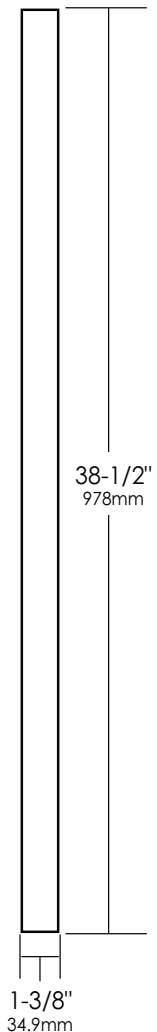
Adjustable Foot Block



Tuscan Composite Railing

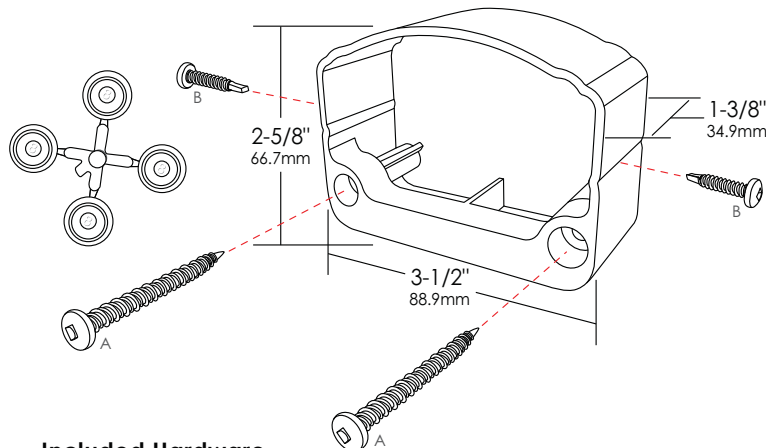


1-3/8" Square Vinyl Baluster



Level Mounting Bracket

Same Bracket for Top and Bottom Rail



Included Hardware

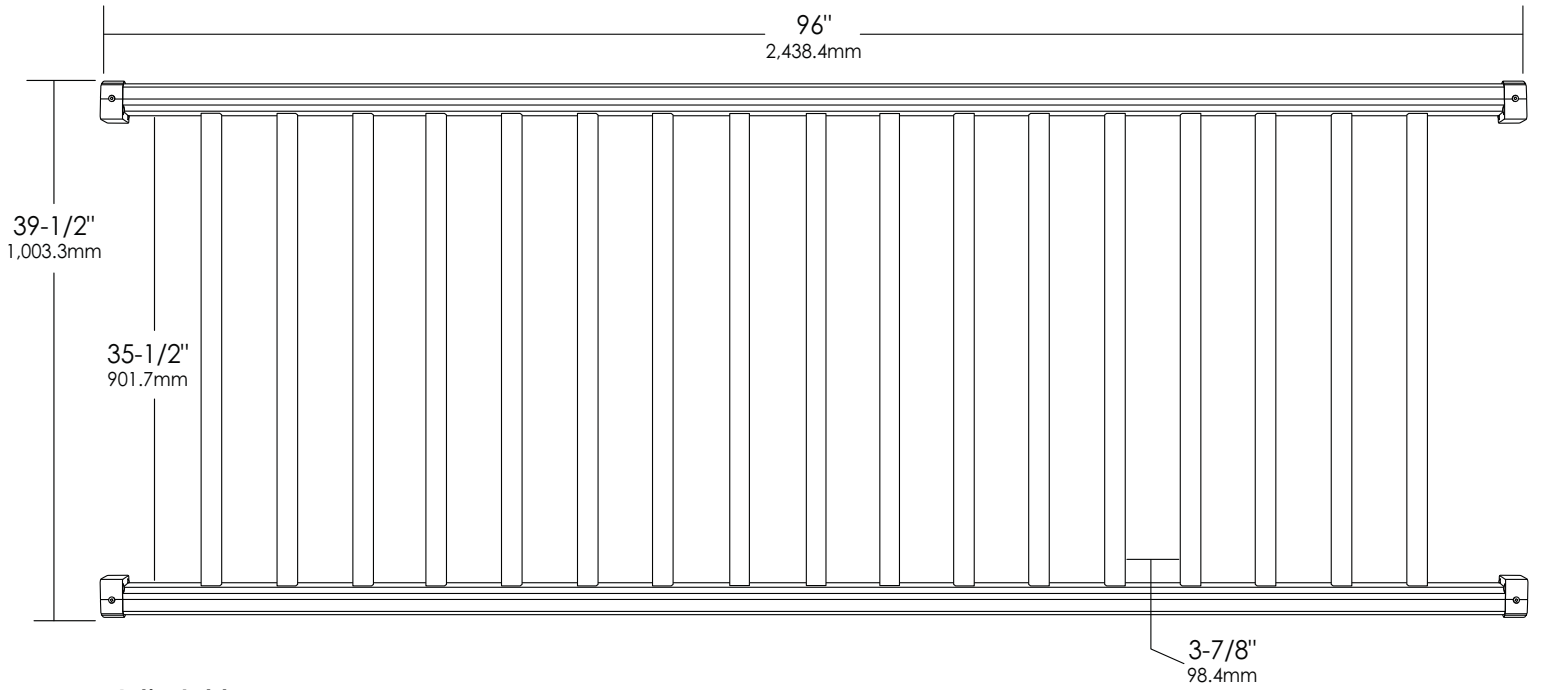
- A: #10 - 2" Stainless Steel Screw • #2 Square Drive
- B: #10 - 1" Stainless Steel Self-Tapping Screw • #2 Square Drive
- C: 4 Screw Caps



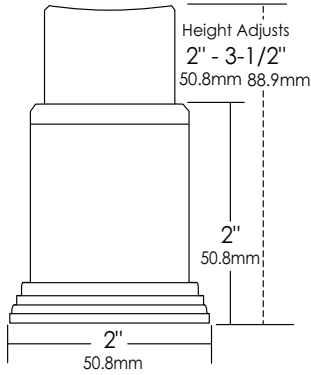
TUSCAN
MANUFACTURING
www.tuscanmfg.com

This drawing is the property of Tuscan Manufacturing. Any hard copy of this drawing may not be current. This document and or images contained within may not be reproduced in publication format without express written consent of Tuscan Manufacturing. Drawings may not be to scale.

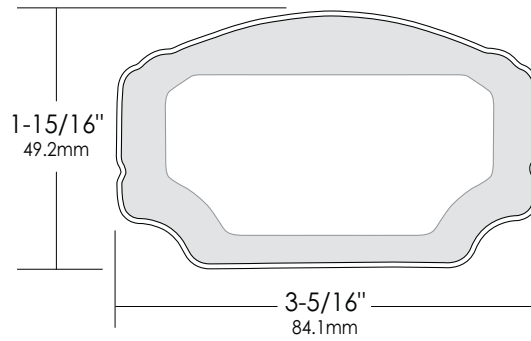
TUSCAN MANUFACTURING			
P.O. Box 185 Landisville, PA 17538			
UCM (Customer)	REF#	REV	
	T42-681S		
SCALE	SHEET#	DRAWN BY	DATE
	1 of 1	Tuscan	8/10/09



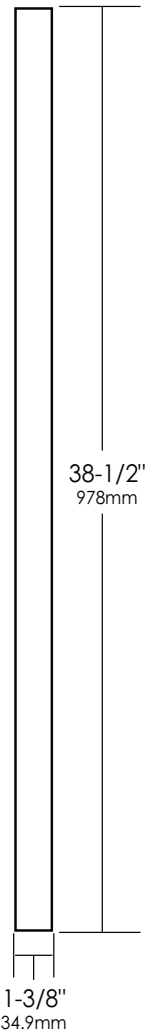
Adjustable Foot Block



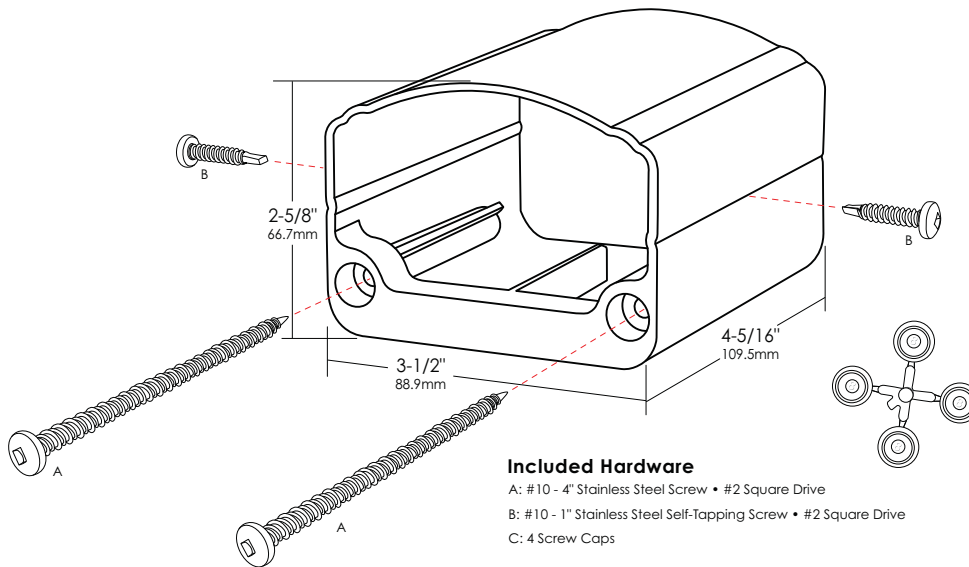
Tuscan Composite Railing



1-3/8" Square Vinyl Baluster



Stair Mounting Bracket
Same Bracket for Top and Bottom Rail



Included Hardware

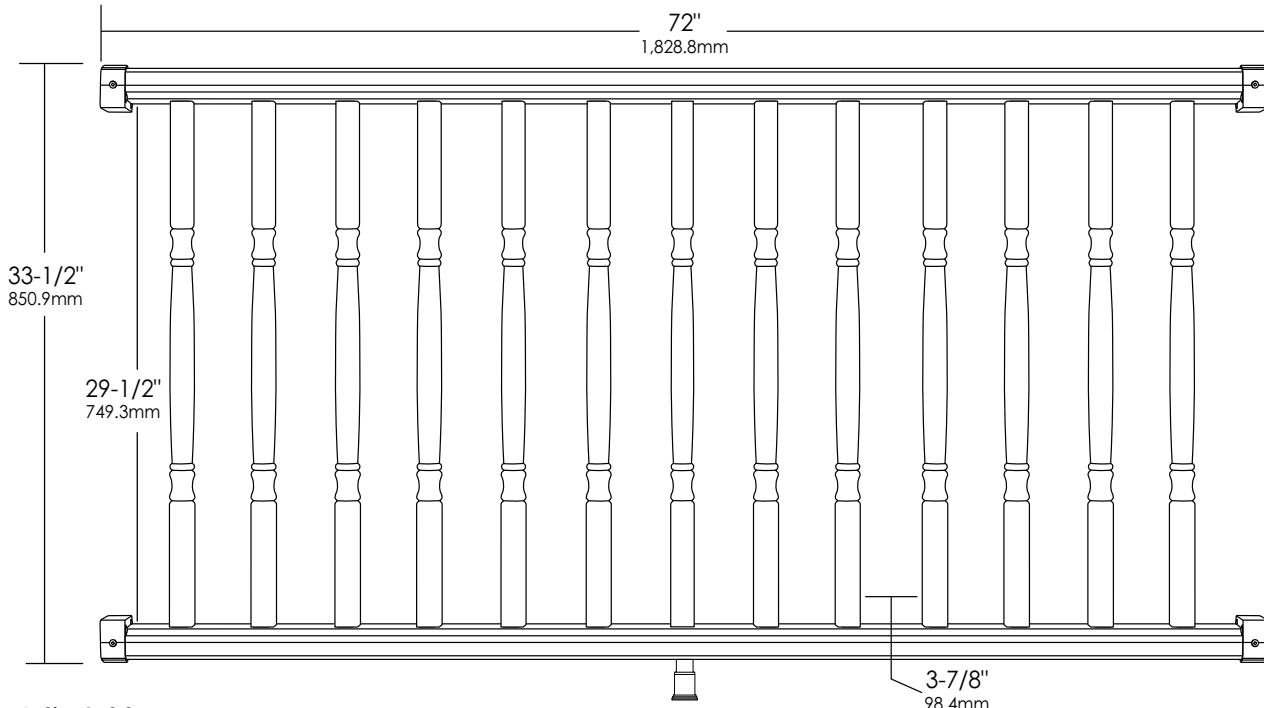
- A: #10 - 4" Stainless Steel Screw • #2 Square Drive
- B: #10 - 1" Stainless Steel Self-Tapping Screw • #2 Square Drive
- C: 4 Screw Caps



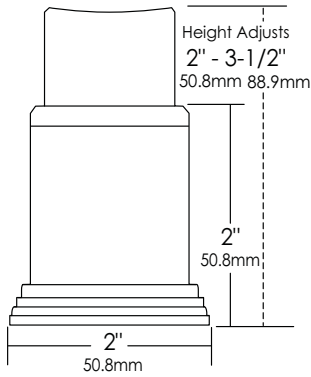
TUSCAN
MANUFACTURING
www.tuscanmfg.com

This drawing is the property of Tuscan Manufacturing. Any hard copy of this drawing may not be current. This document and or images contained within may not be reproduced in publication format without express written consent of Tuscan Manufacturing. Drawings may not be to scale.

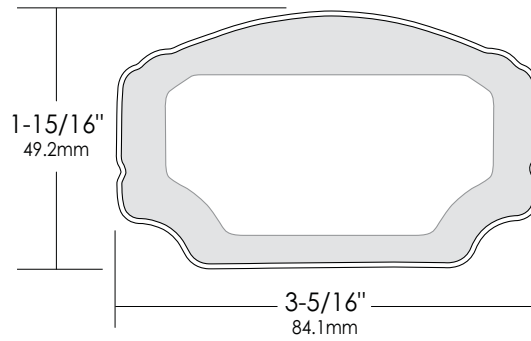
TUSCAN MANUFACTURING			
P.O. Box 185 Landisville, PA 17538			
UCM REF#	T36-662L	SCALE	REV
SHEET#	1 of 1	DRAWN BY	DATE
		Tuscan	8/10/09



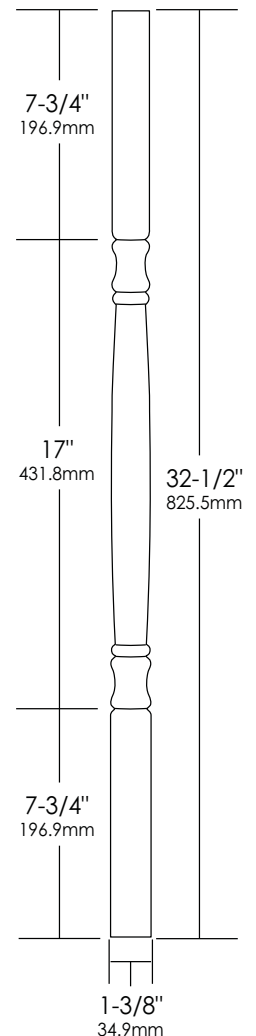
Adjustable Foot Block



Tuscan Composite Railing

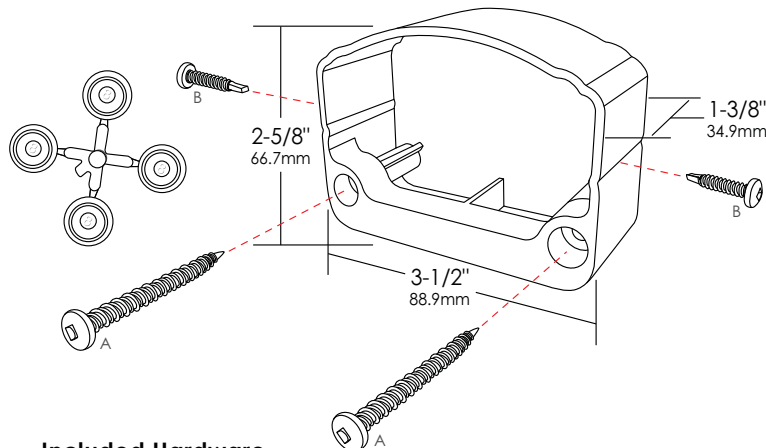


1-3/8" Colonial Baluster



Level Mounting Bracket

Same Bracket for Top and Bottom Rail



Included Hardware

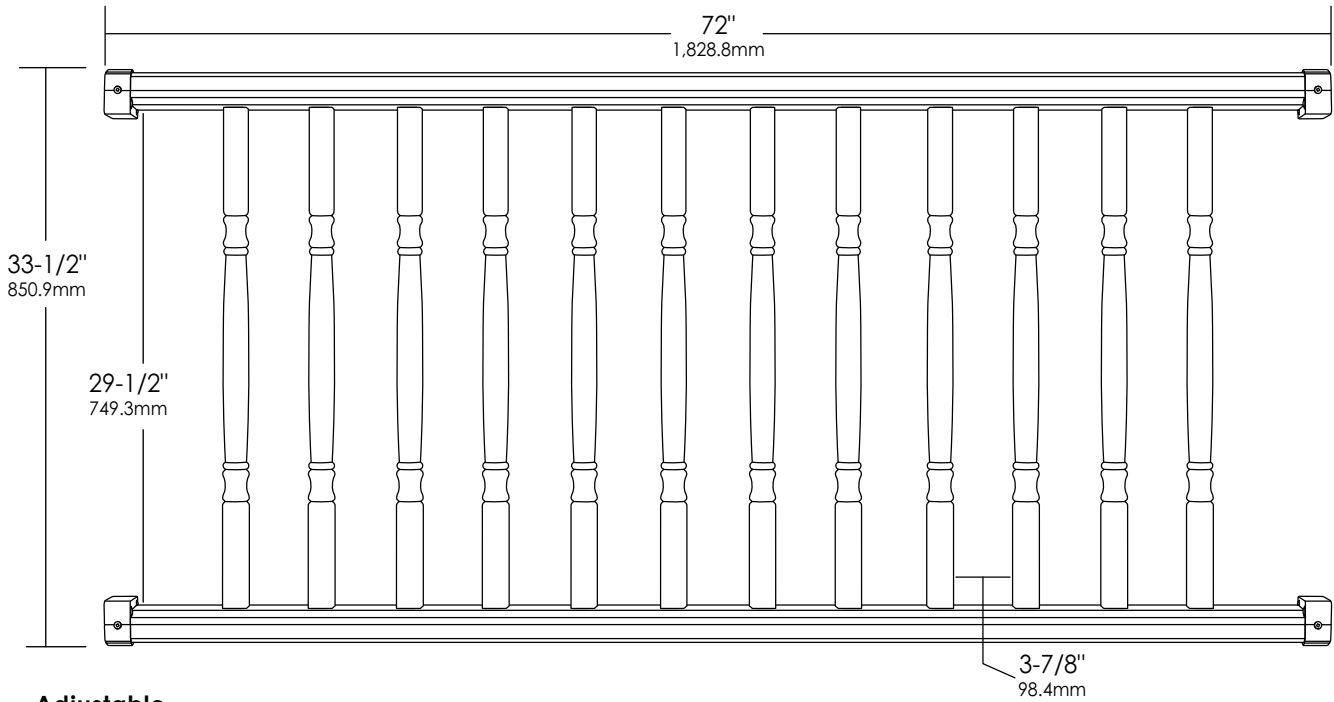
- A: #10 - 2" Stainless Steel Screw • #2 Square Drive
- B: #10 - 1" Stainless Steel Self-Tapping Screw • #2 Square Drive
- C: 4 Screw Caps



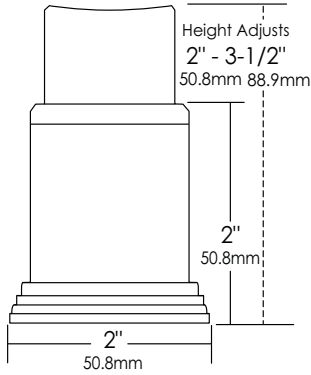
TUSCAN
MANUFACTURING
www.tuscanmfg.com

This drawing is the property of Tuscan Manufacturing. Any hard copy of this drawing may not be current. This document and or images contained within may not be reproduced in publication format without express written consent of Tuscan Manufacturing. Drawings may not be to scale.

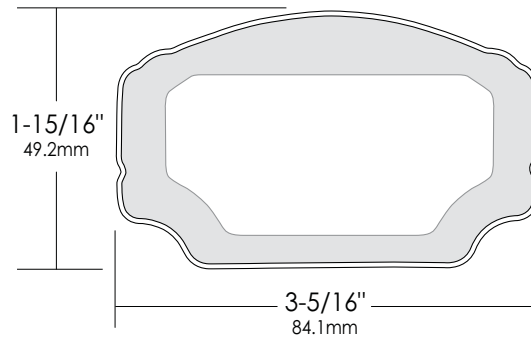
TUSCAN MANUFACTURING			
P.O. Box 185 Landisville, PA 17538			
UCM SHEET#	REF# T36-662S	REV	
SCALE	SHEET# 1 of 1	DRAWN BY Tuscan	DATE 8/10/09



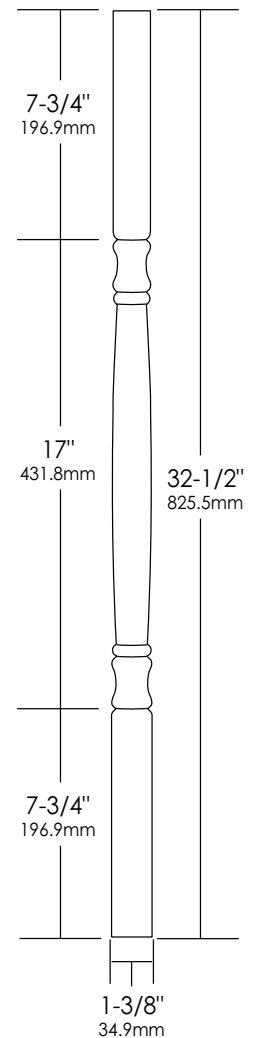
Adjustable Foot Block



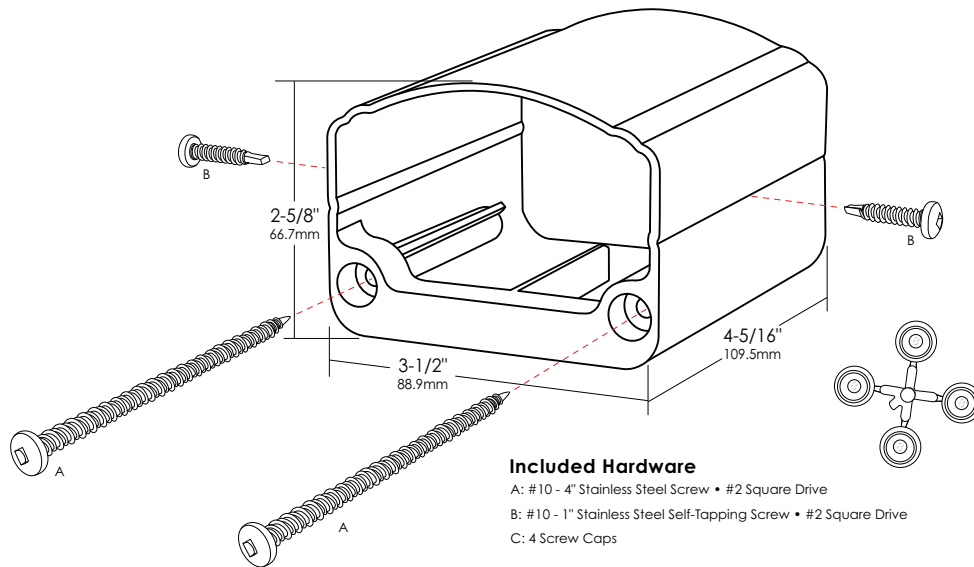
Tuscan Composite Railing



1-3/8" Colonial Baluster



Stair Mounting Bracket
Same Bracket for Top and Bottom Rail



Included Hardware

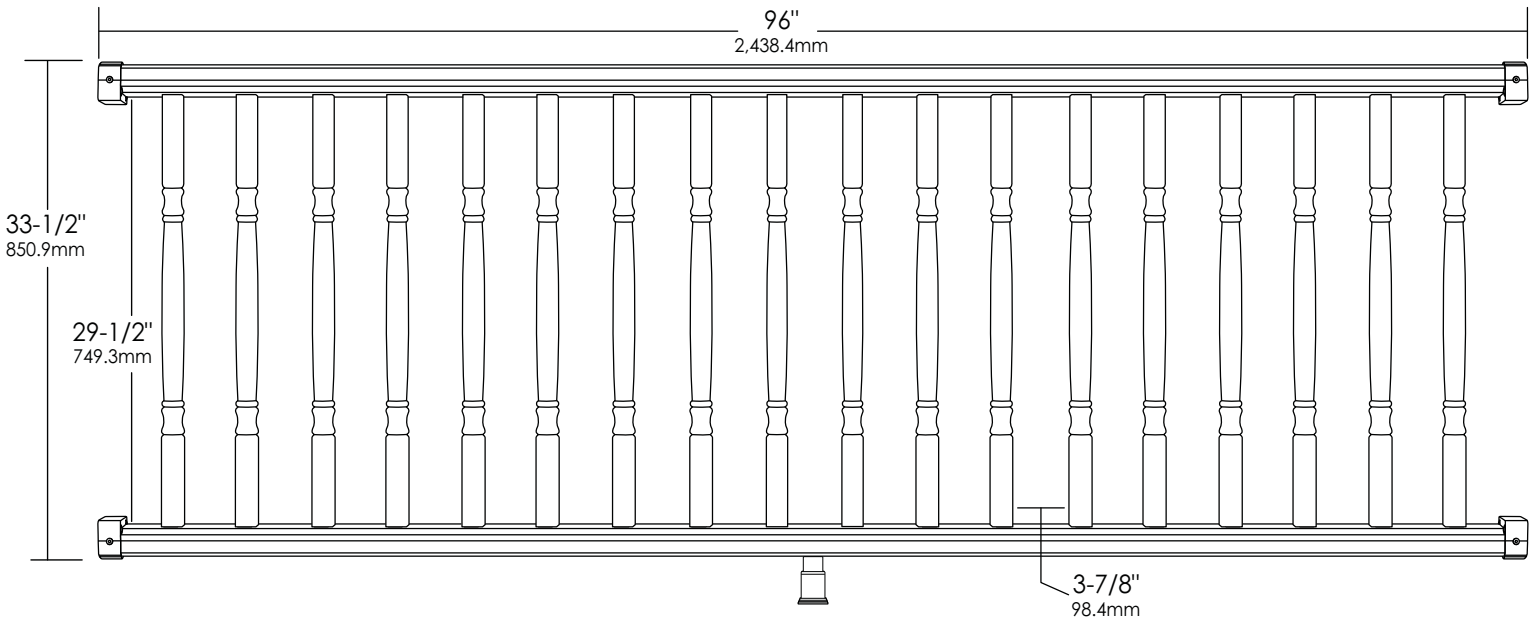
- A: #10 - 4" Stainless Steel Screw • #2 Square Drive
- B: #10 - 1" Stainless Steel Self-Tapping Screw • #2 Square Drive
- C: 4 Screw Caps



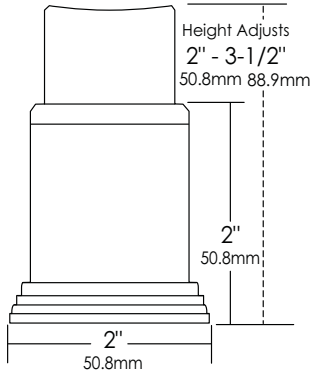
TUSCAN
MANUFACTURING
www.tuscanmfg.com

This drawing is the property of Tuscan Manufacturing. Any hard copy of this drawing may not be current. This document and or images contained within may not be reproduced in publication format without express written consent of Tuscan Manufacturing. Drawings may not be to scale.

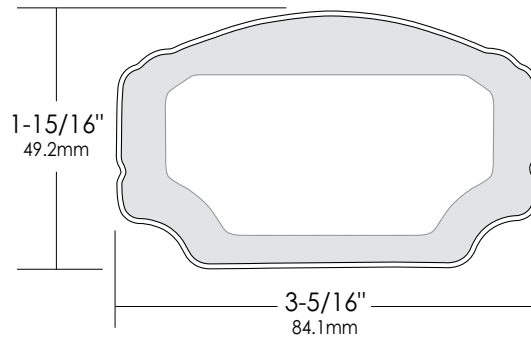
TUSCAN MANUFACTURING			
P.O. Box 185 Landisville, PA 17538			
UCM NUMBER	REF#	REV	
	T36-682L		
SCALE	SHEET#	DRAWN BY	DATE
	1 of 1	Tuscan	8/10/09



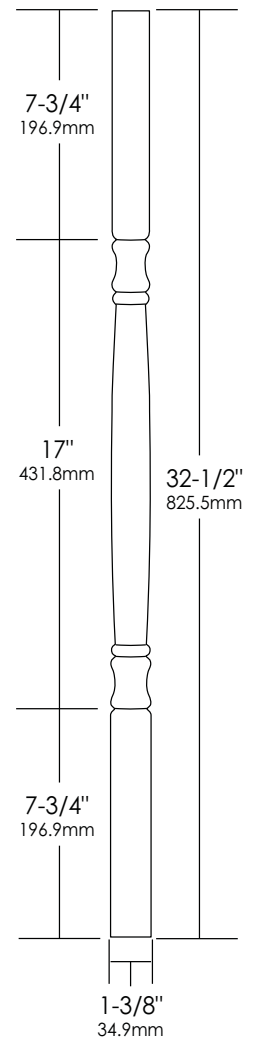
Adjustable Foot Block



Tuscan Composite Railing

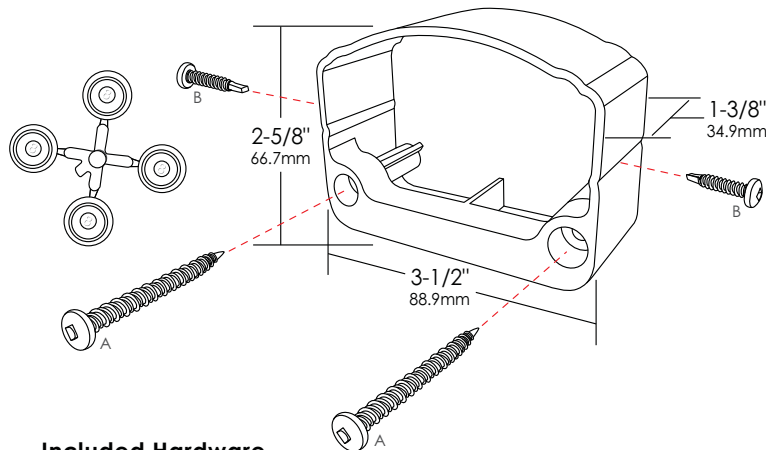


1-3/8" Colonial Baluster



Level Mounting Bracket

Same Bracket for Top and Bottom Rail



Included Hardware

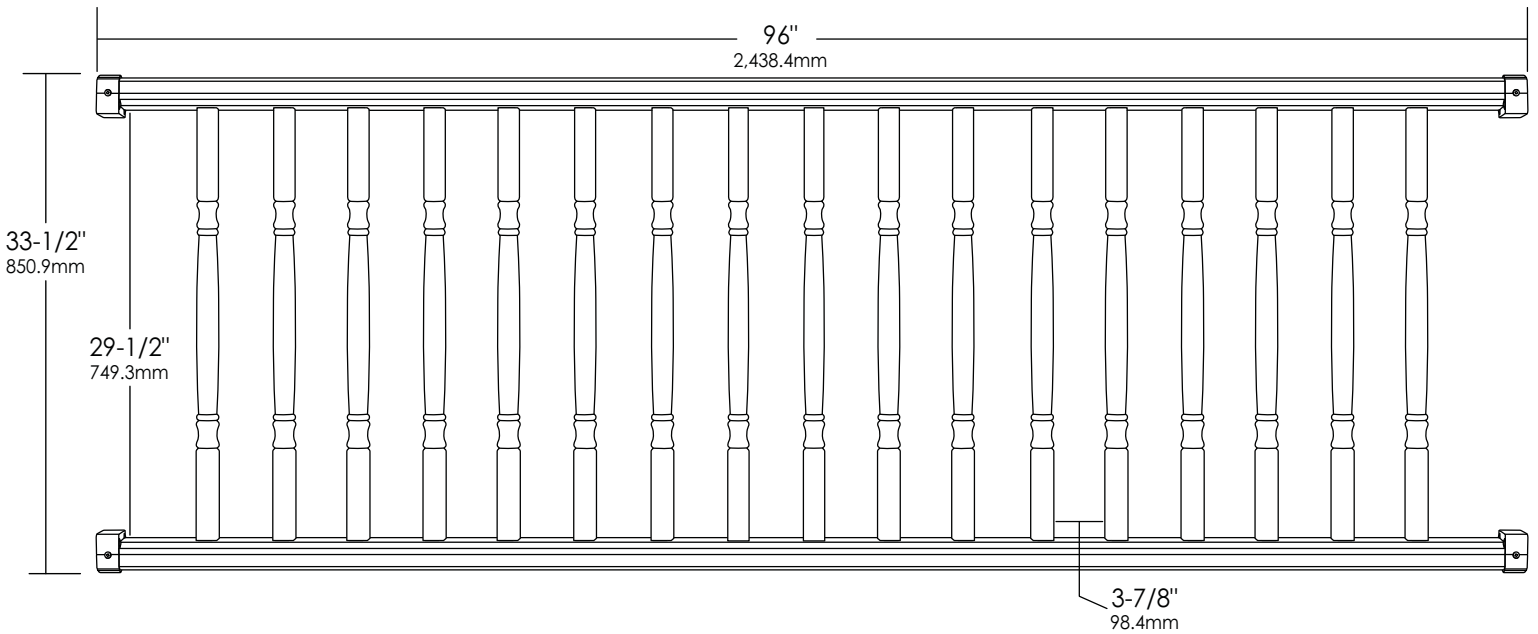
- A: #10 - 2" Stainless Steel Screw • #2 Square Drive
- B: #10 - 1" Stainless Steel Self-Tapping Screw • #2 Square Drive
- C: 4 Screw Caps



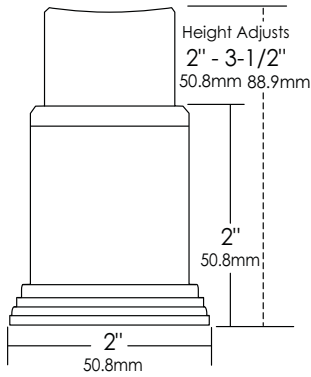
TUSCAN
MANUFACTURING
www.tuscanmfg.com

This drawing is the property of Tuscan Manufacturing. Any hard copy of this drawing may not be current. This document and or images contained within may not be reproduced in publication format without express written consent of Tuscan Manufacturing. Drawings may not be to scale.

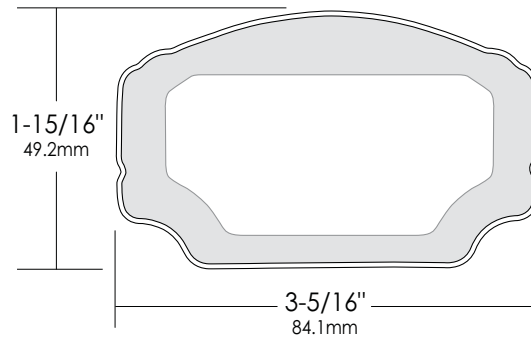
TUSCAN MANUFACTURING			
P.O. Box 185 Landisville, PA 17538			
UCM REF#	T36-682S	REV	
SCALE	SHEET#	DRAWN BY	DATE
	1 of 1	Tuscan	8/10/09



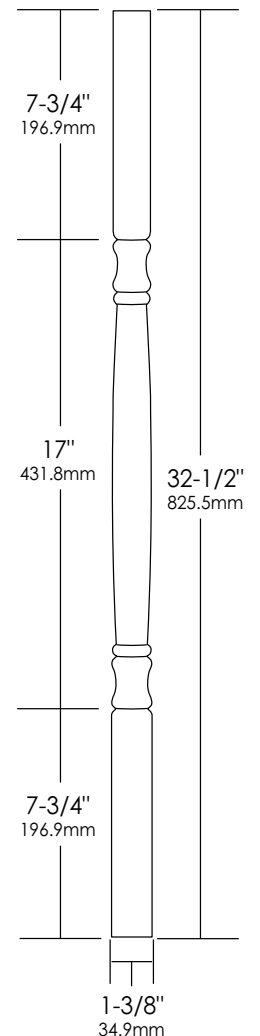
Adjustable Foot Block



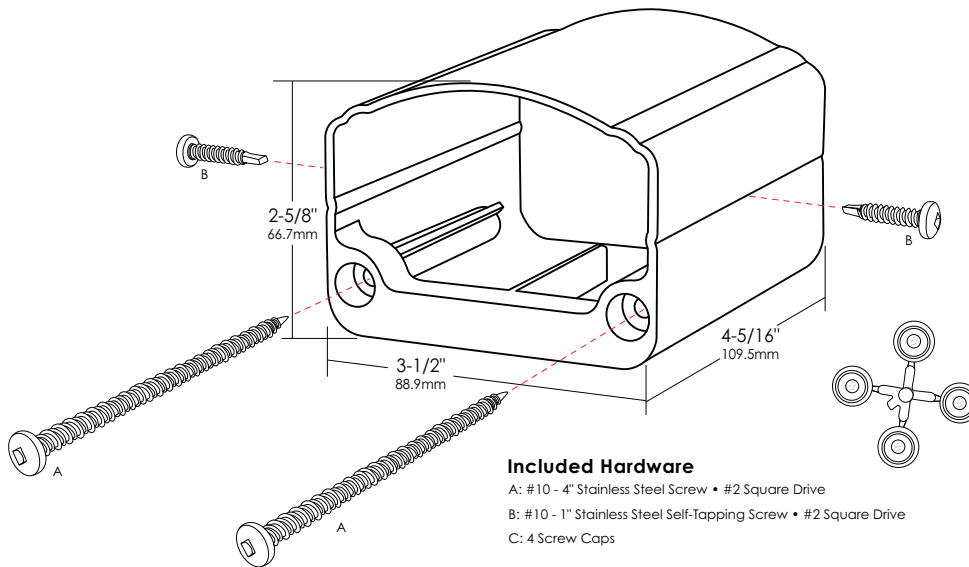
Tuscan Composite Railing



1-3/8" Colonial Baluster



Stair Mounting Bracket
Same Bracket for Top and Bottom Rail



Included Hardware

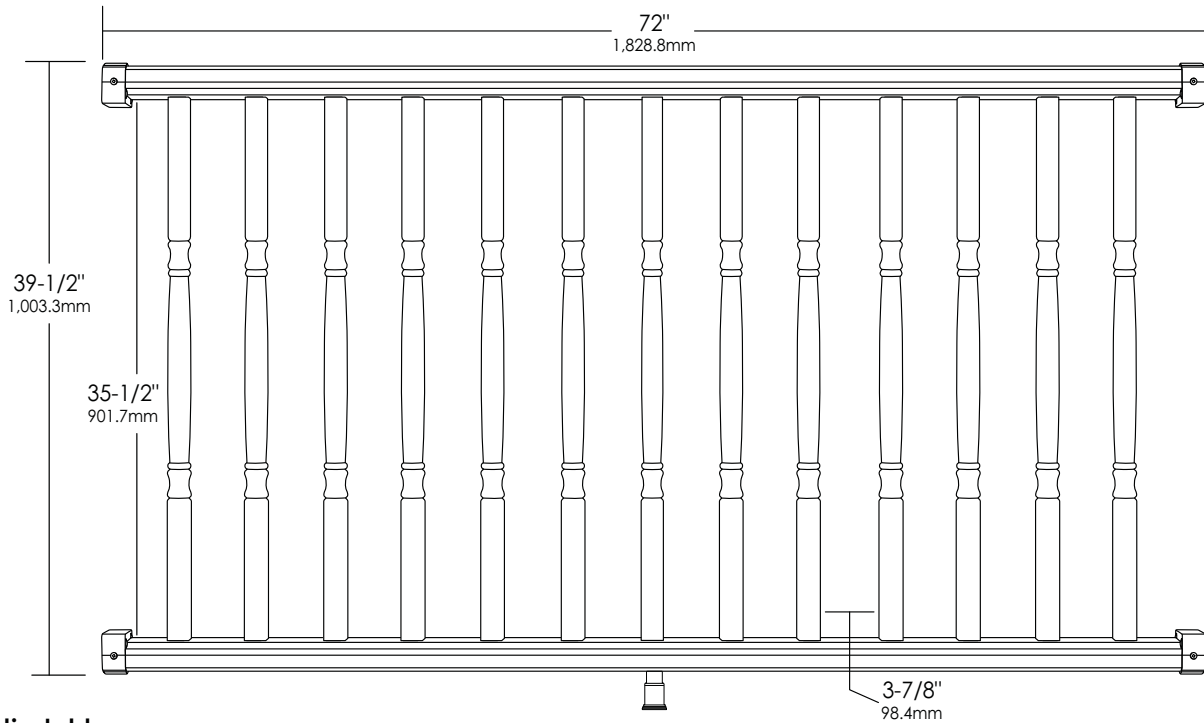
- A: #10 - 4" Stainless Steel Screw • #2 Square Drive
- B: #10 - 1" Stainless Steel Self-Tapping Screw • #2 Square Drive
- C: 4 Screw Caps



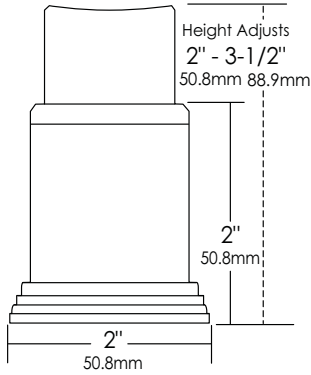
TUSCAN
MANUFACTURING
www.tuscanmfg.com

This drawing is the property of Tuscan Manufacturing. Any hard copy of this drawing may not be current. This document and or images contained within may not be reproduced in publication format without express written consent of Tuscan Manufacturing. Drawings may not be to scale.

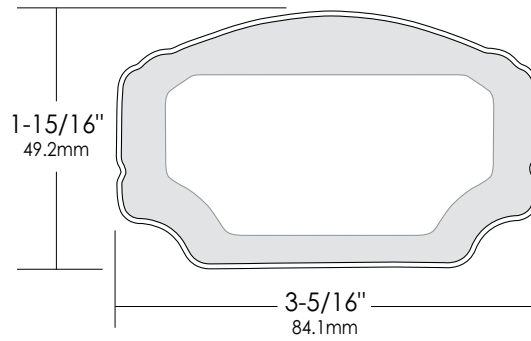
TUSCAN MANUFACTURING			
P.O. Box 185 Landisville, PA 17538			
UCM SHEET#	REF#	DATE	REV
1 of 1	T42-662L	8/10/09	
SCALE	SHEET#	DRAWN BY	DATE
		Tuscan	8/10/09



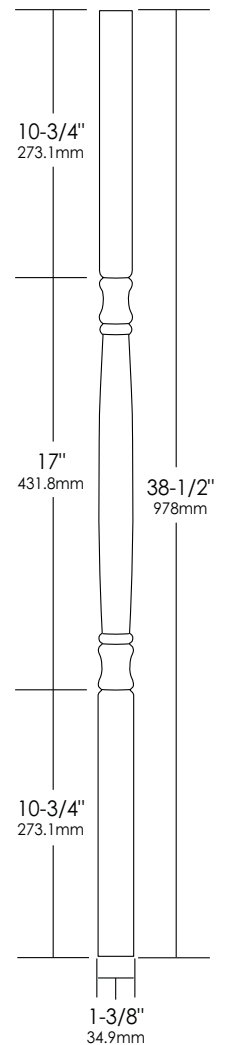
Adjustable Foot Block



Tuscan Composite Railing

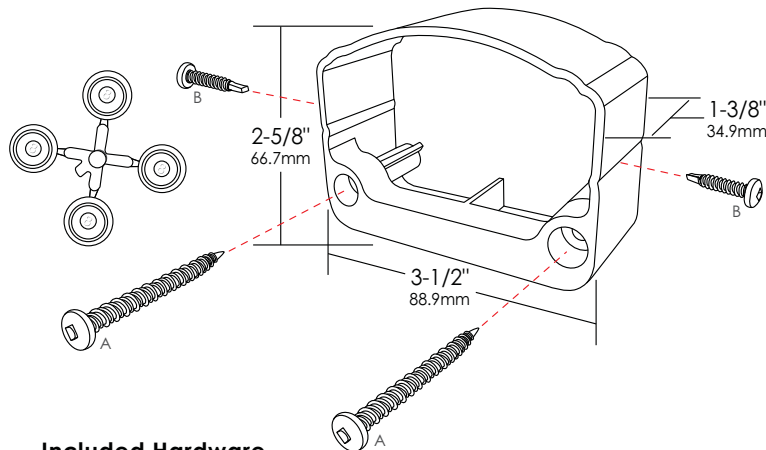


1-3/8\" Colonial Baluster



Level Mounting Bracket

Same Bracket for Top and Bottom Rail



Included Hardware

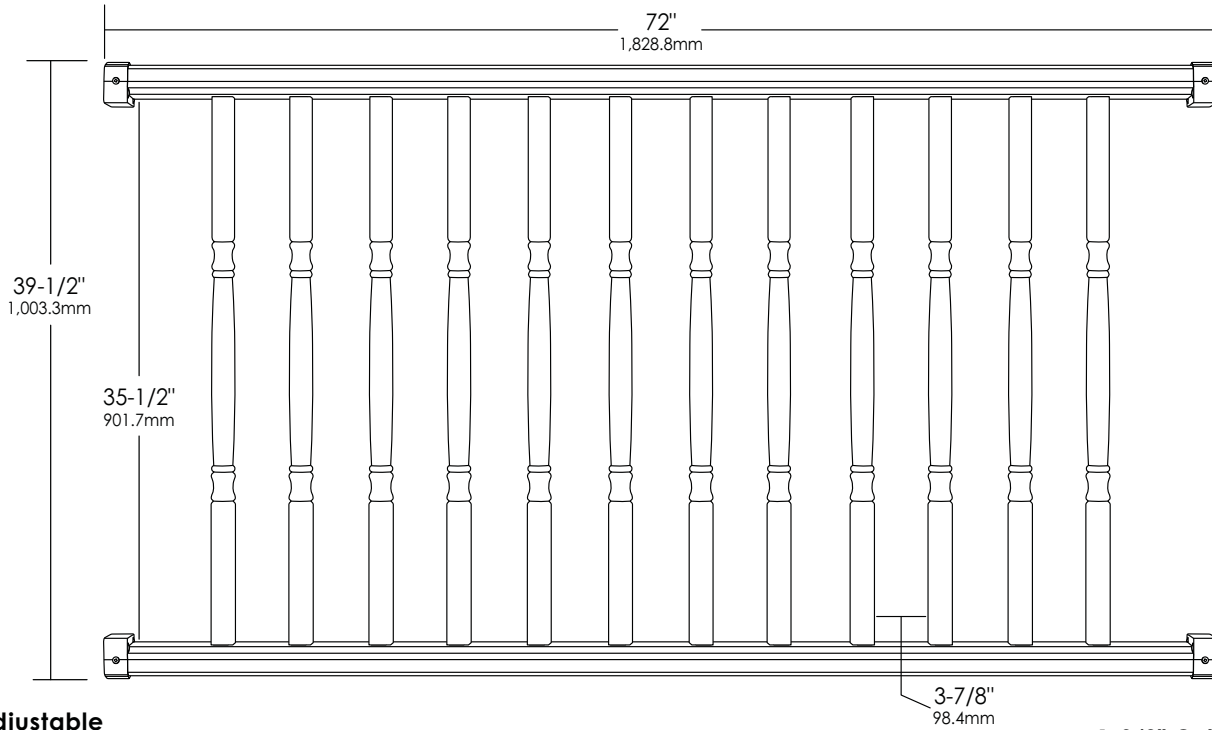
- A: #10 - 2" Stainless Steel Screw • #2 Square Drive
- B: #10 - 1" Stainless Steel Self-Tapping Screw • #2 Square Drive
- C: 4 Screw Caps



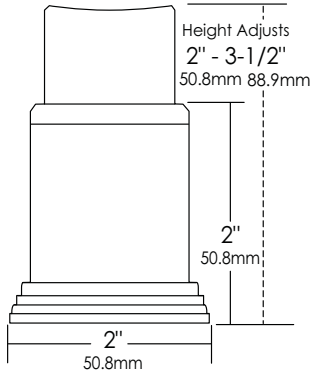
TUSCAN
MANUFACTURING
www.tuscanmfg.com

This drawing is the property of Tuscan Manufacturing. Any hard copy of this drawing may not be current. This document and or images contained within may not be reproduced in publication format without express written consent of Tuscan Manufacturing. Drawings may not be to scale.

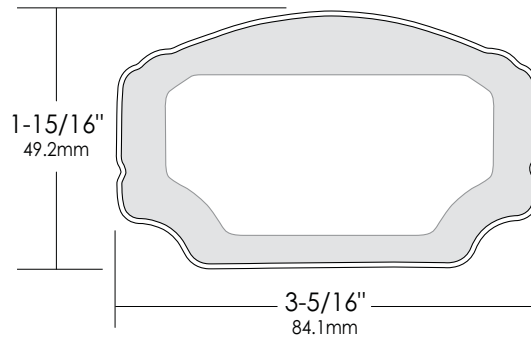
TUSCAN MANUFACTURING			
P.O. Box 185 Landisville, PA 17538			
UCM SHEET#	REF# T42-662S	DRAWN BY Tuscan	DATE 8/10/09
SCALE	SHEET#	DRAWN BY	DATE
	1 of 1	Tuscan	8/10/09



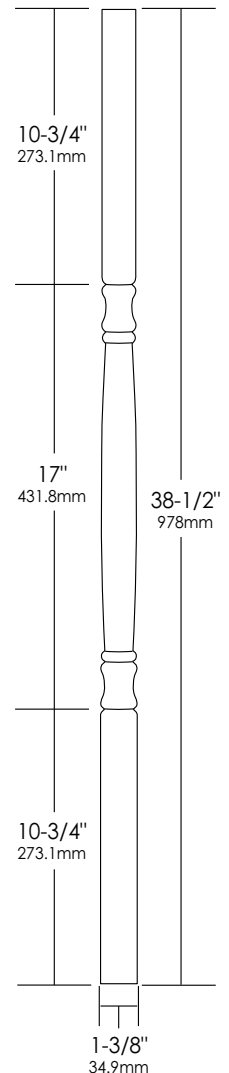
Adjustable Foot Block



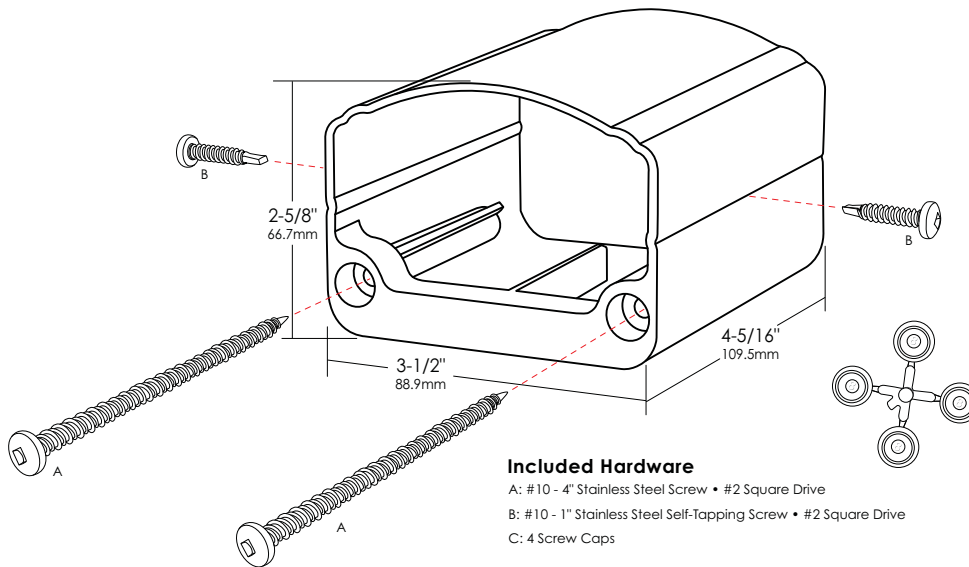
Tuscan Composite Railing



1-3/8" Colonial Baluster



Stair Mounting Bracket
Same Bracket for Top and Bottom Rail



Included Hardware

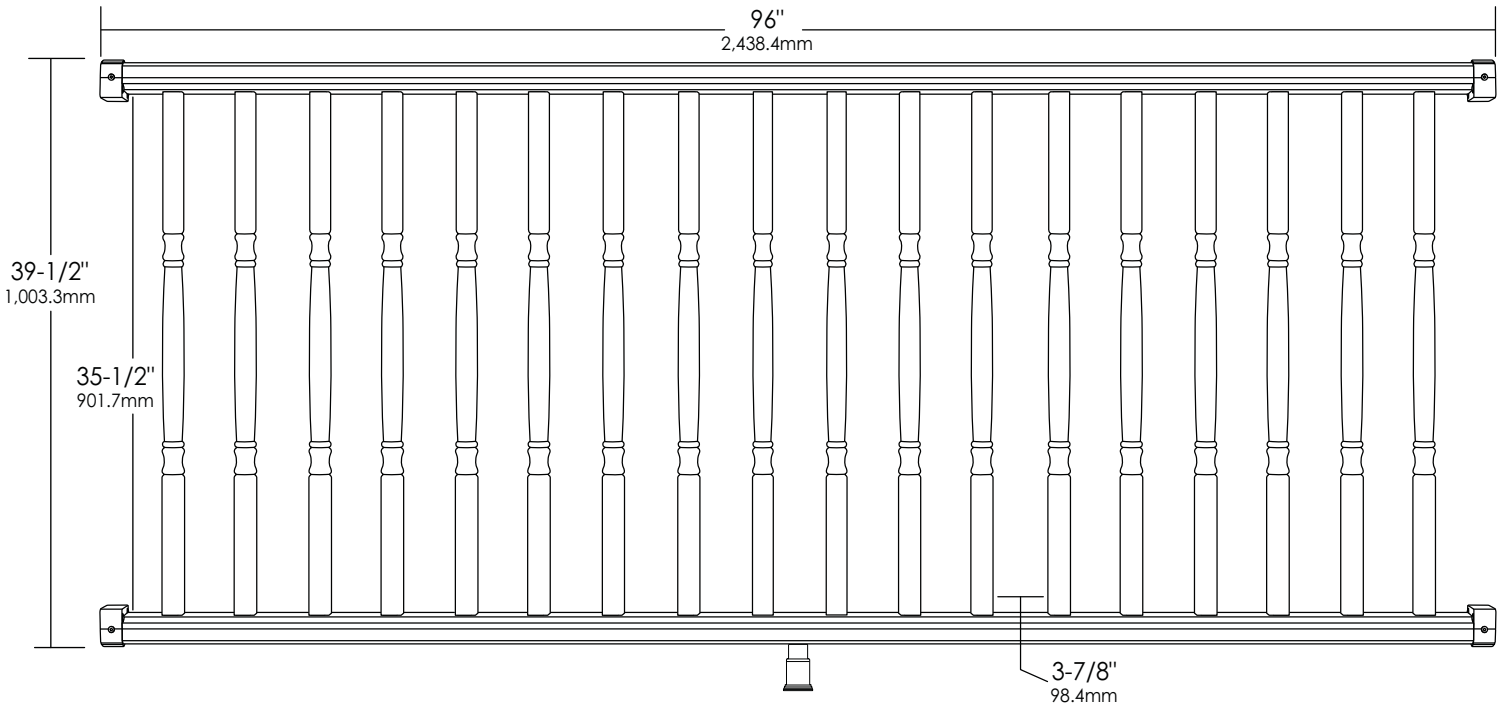
- A: #10 - 4" Stainless Steel Screw • #2 Square Drive
- B: #10 - 1" Stainless Steel Self-Tapping Screw • #2 Square Drive
- C: 4 Screw Caps



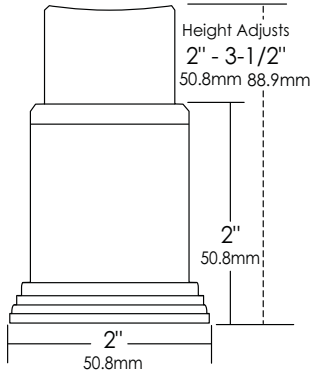
TUSCAN
MANUFACTURING
www.tuscanmfg.com

This drawing is the property of Tuscan Manufacturing. Any hard copy of this drawing may not be current. This document and or images contained within may not be reproduced in publication format without express written consent of Tuscan Manufacturing. Drawings may not be to scale.

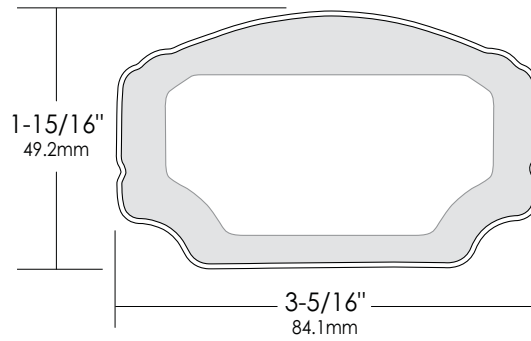
TUSCAN MANUFACTURING				
P.O. Box 185 Landisville, PA 17538				
UCM NUMBER	REF#	DATE	REV	
	T42-682L			
SCALE	SHEET#	DRAWN BY	DATE	
	1 of 1	Tuscan	8/10/09	



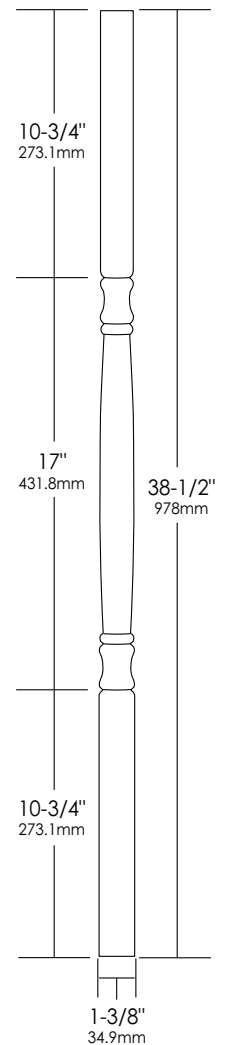
Adjustable Foot Block



Tuscan Composite Railing

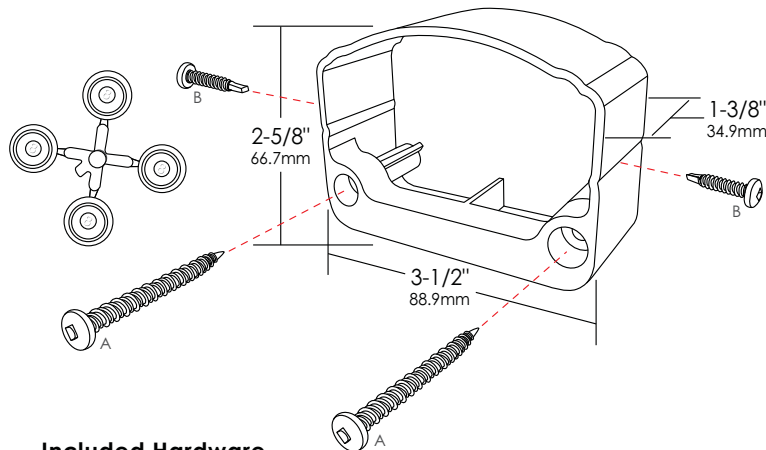


1-3/8" Colonial Baluster



Level Mounting Bracket

Same Bracket for Top and Bottom Rail



Included Hardware

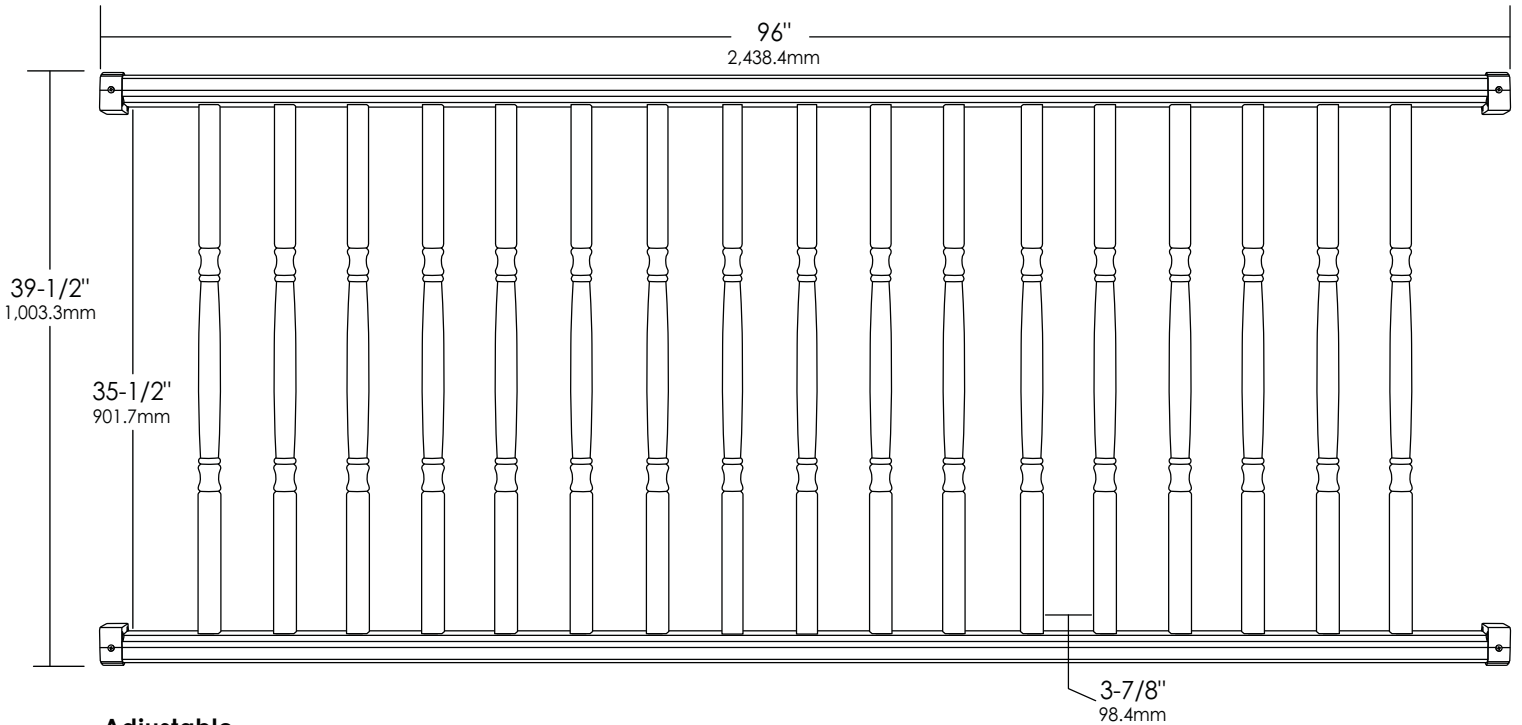
- A: #10 - 2" Stainless Steel Screw • #2 Square Drive
- B: #10 - 1" Stainless Steel Self-Tapping Screw • #2 Square Drive
- C: 4 Screw Caps



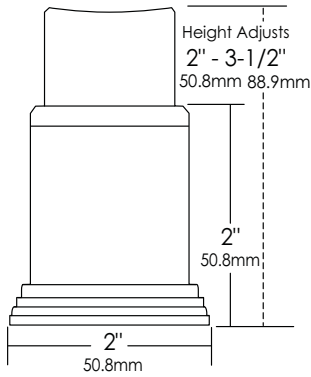
TUSCAN
MANUFACTURING
www.tuscanmfg.com

This drawing is the property of Tuscan Manufacturing. Any hard copy of this drawing may not be current. This document and or images contained within may not be reproduced in publication format without express written consent of Tuscan Manufacturing. Drawings may not be to scale.

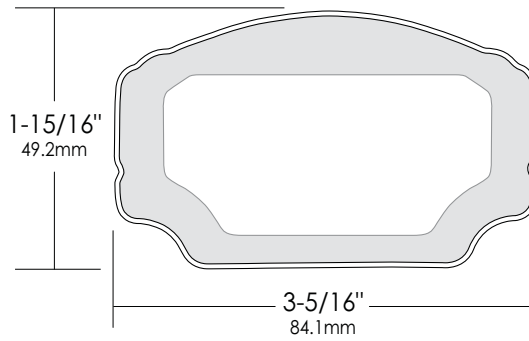
TUSCAN MANUFACTURING			
P.O. Box 185 Landisville, PA 17538			
UCM NUMBER	REF#	REV	
	T42-682S		
SCALE	SHEET#	DRAWN BY	DATE
	1 of 1	Tuscan	8/10/09



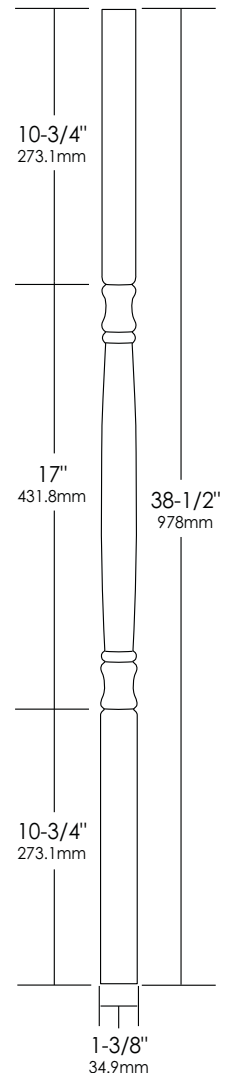
Adjustable Foot Block



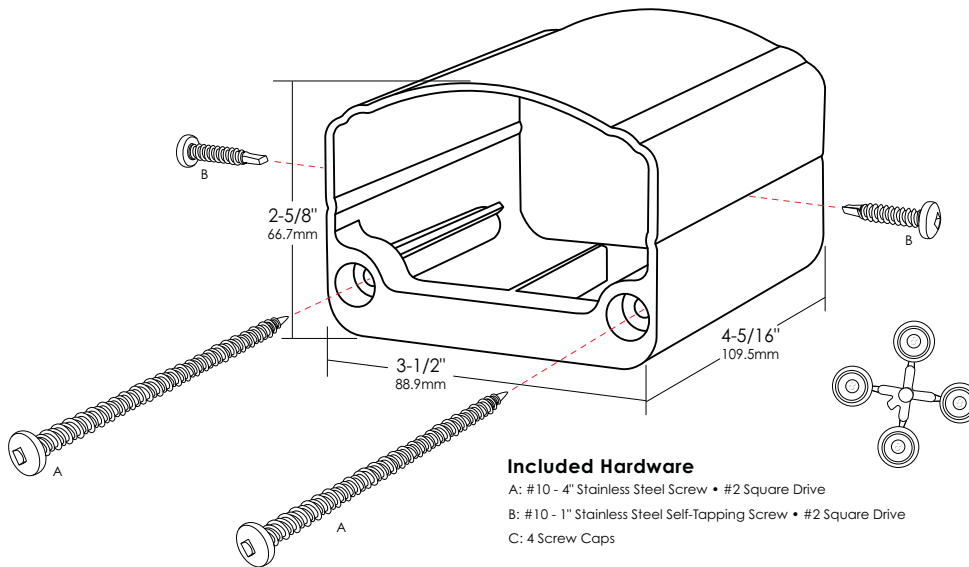
Tuscan Composite Railing



1-3/8" Colonial Baluster



Stair Mounting Bracket
Same Bracket for Top and Bottom Rail



Included Hardware

- A: #10 - 4" Stainless Steel Screw • #2 Square Drive
- B: #10 - 1" Stainless Steel Self-Tapping Screw • #2 Square Drive
- C: 4 Screw Caps



TUSCAN
MANUFACTURING
www.tuscanmfg.com