

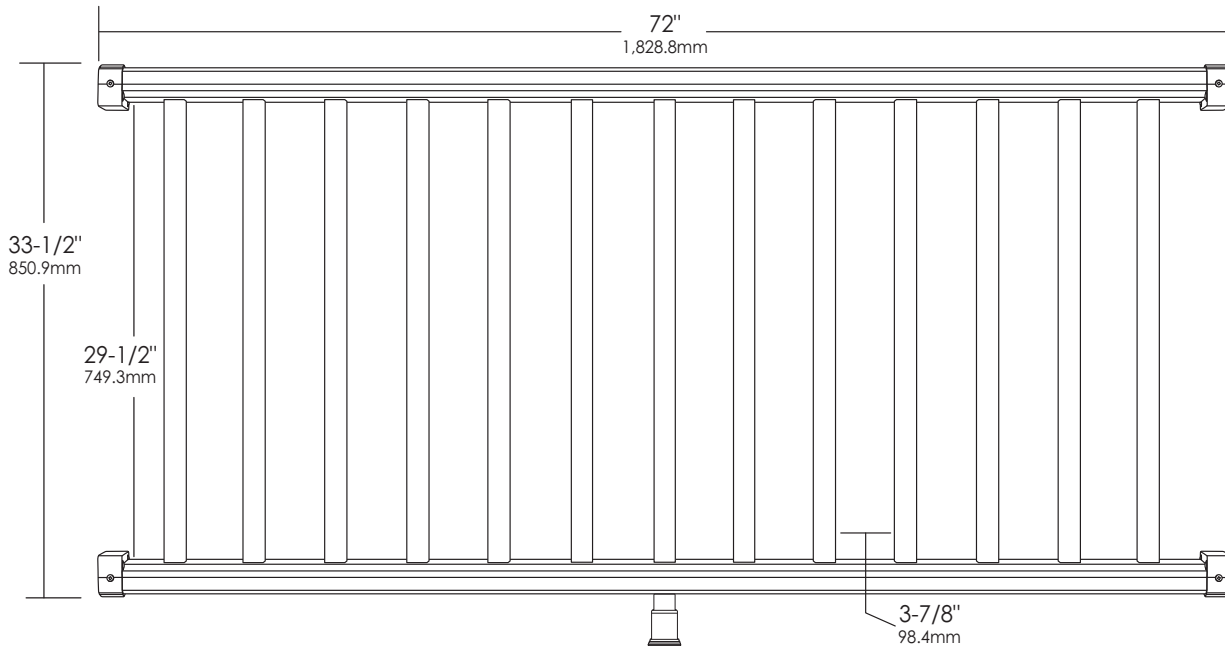
This drawing is the property of Tuscan Manufacturing.
Any hard copy of this drawing may not be current.
This document and or images contained within may not be
reproduced in publication format without express written consent
of Tuscan Manufacturing. Drawings may not be to scale.

TUSCAN MANUFACTURING

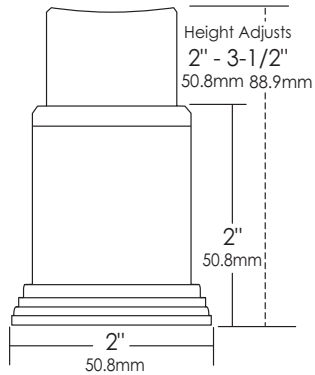
P.O. Box 185 Landisville, PA 17538

UCM REF# T36-561L REV

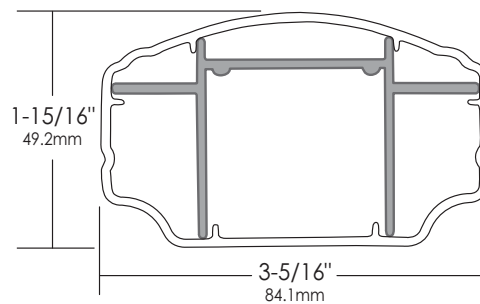
SCALE SHEET# 1 of 1 DRAWN BY tuscan DATE 7/21/09



Adjustable Foot Block



Tuscan Vinyl Railing w/Aluminum Insert

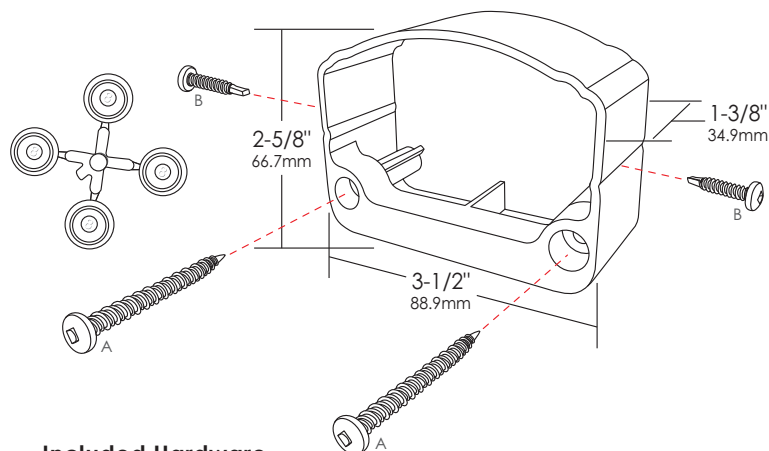


1-3/8" Square Vinyl Baluster



Level Mounting Bracket

Same Bracket for Top and Bottom Rail



Included Hardware

A: #10 - 2" Stainless Steel Screw • #2 Square Drive

B: #10 - 1" Stainless Steel Self-Tapping Screw • #2 Square Drive

C: 4 Screw Caps



TUSCAN
MANUFACTURING
www.tuscanmfg.com

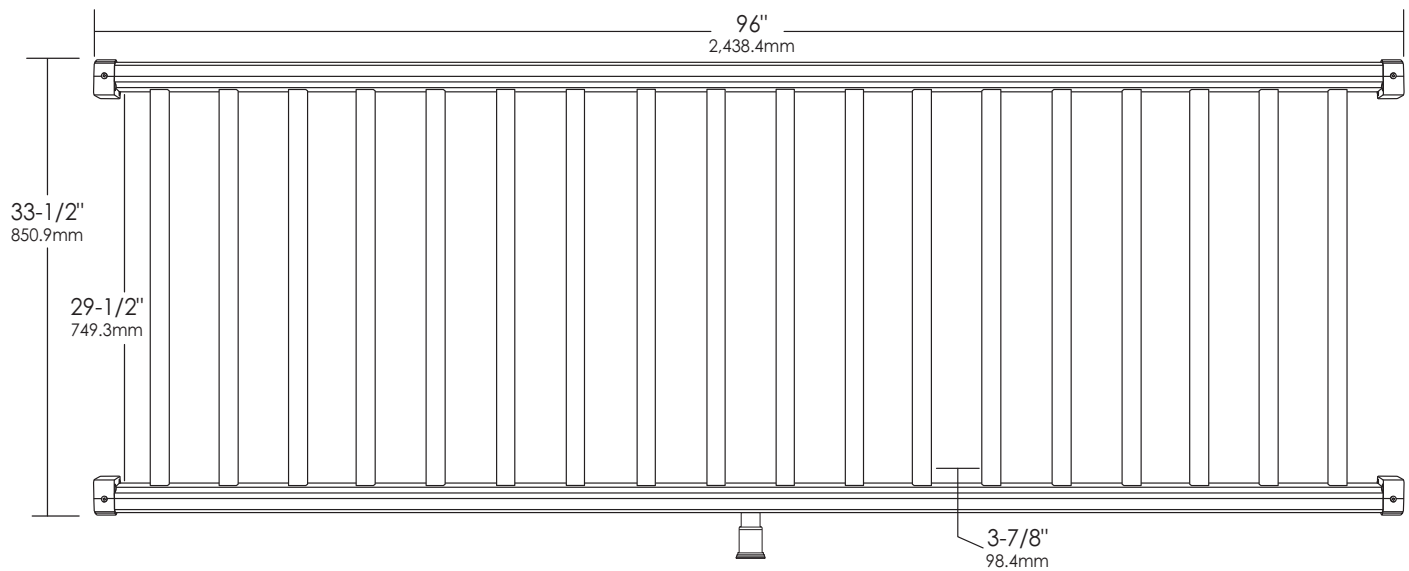
This drawing is the property of Tuscan Manufacturing.
Any hard copy of this drawing may not be current.
This document and or images contained within may not be
reproduced in publication format without express written consent
of Tuscan Manufacturing. Drawings may not be to scale.

TUSCAN MANUFACTURING

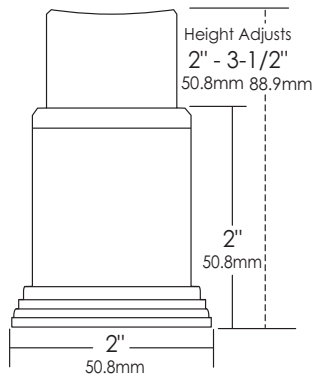
P.O. Box 185 Landisville, PA 17538

UCM REF# T36-581L REV

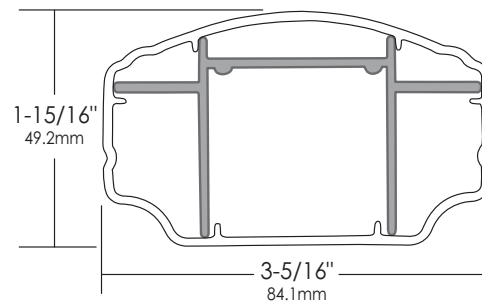
SCALE SHEET# 1 of 1 DRAWN BY DATE 7/22/09



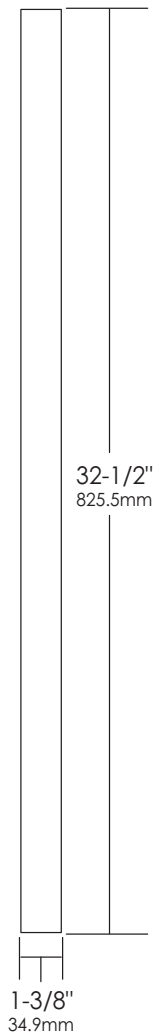
Adjustable Foot Block



Tuscan Vinyl Railing w/Aluminum Insert

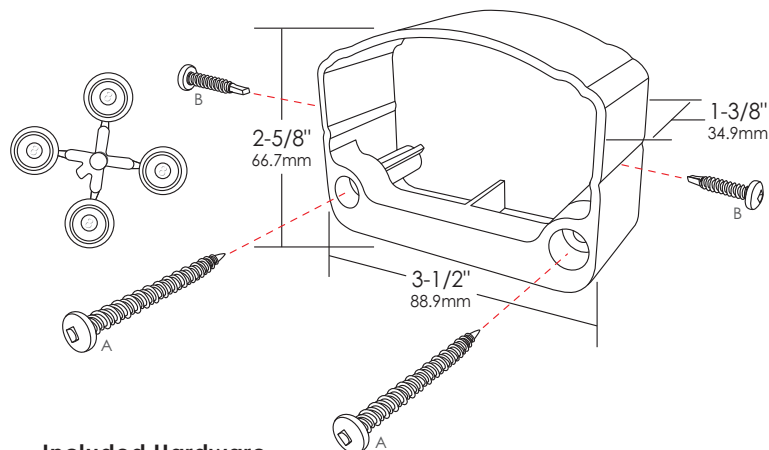


1-3/8" Square Vinyl Baluster



Level Mounting Bracket

Same Bracket for Top and Bottom Rail



Included Hardware

- A: #10 - 2" Stainless Steel Screw • #2 Square Drive
- B: #10 - 1" Stainless Steel Self-Tapping Screw • #2 Square Drive
- C: 4 Screw Caps



TUSCAN
MANUFACTURING
www.tuscanmfg.com

DOCUMENT TITLE:

10' Level Rail Kit w/Square Balusters

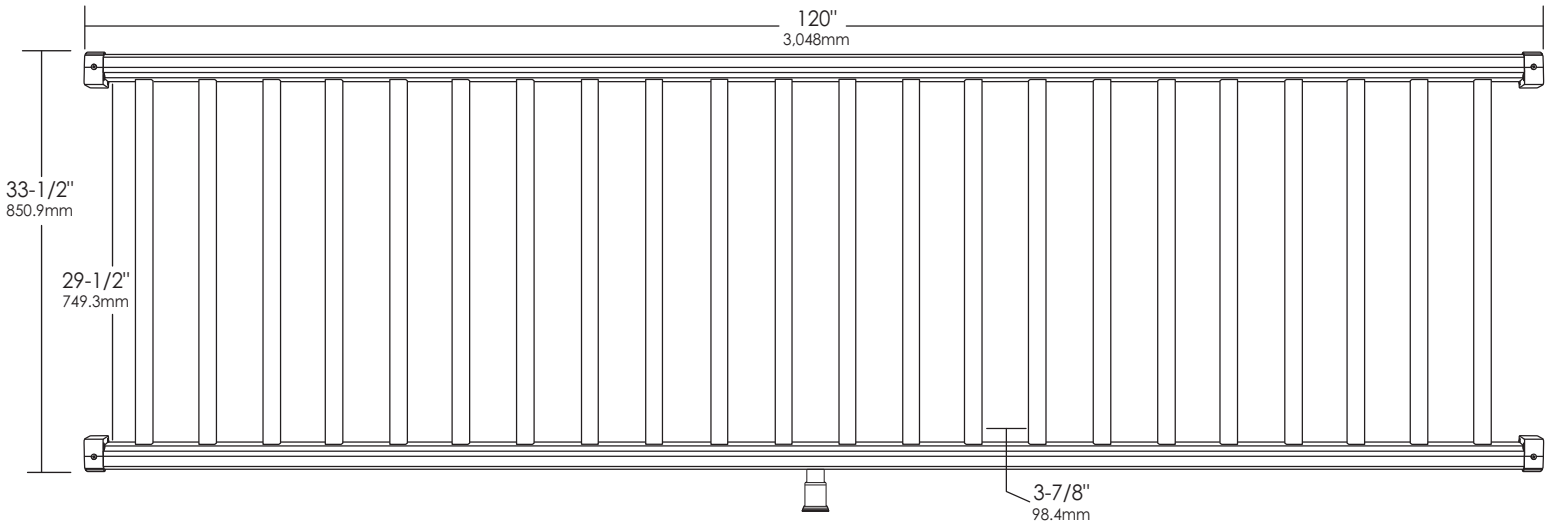
This drawing is the property of Tuscan Manufacturing. Any hard copy of this drawing may not be current. This document and or images contained within may not be reproduced in publication format without express written consent of Tuscan Manufacturing. Drawings may not be to scale.

TUSCAN MANUFACTURING

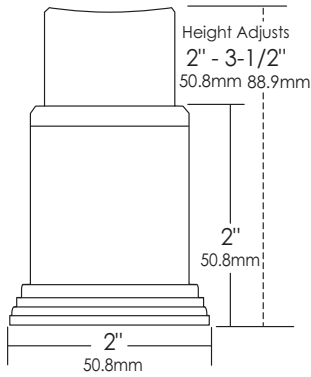
P.O. Box 185 Landisville, PA 17538

UCM SHEET#	REF# T36-511L	REV
---------------	------------------	-----

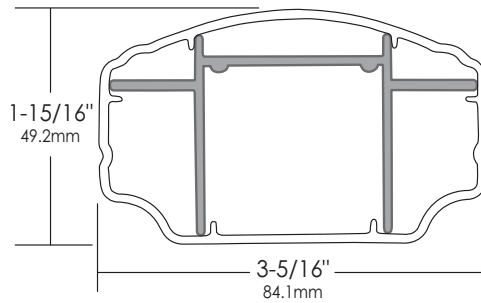
SCALE	SHEET# 1 of 1	DRAWN BY tuscan	DATE 7/22/09
-------	------------------	--------------------	-----------------



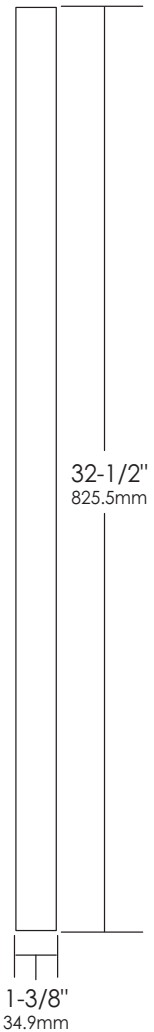
Adjustable Foot Block



Tuscan Vinyl Railing w/Aluminum Insert

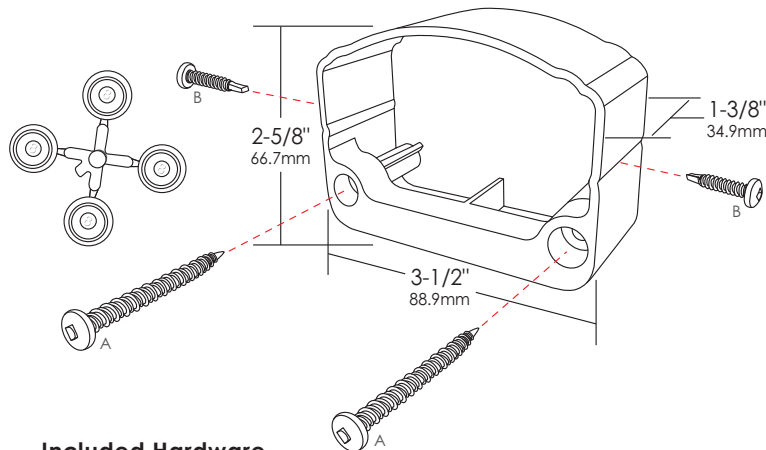


1-3/8" Square Vinyl Baluster



Level Mounting Bracket

Same Bracket for Top and Bottom Rail



Included Hardware

- A: #10 - 2" Stainless Steel Screw • #2 Square Drive
- B: #10 - 1" Stainless Steel Self-Tapping Screw • #2 Square Drive
- C: 4 Screw Caps



TUSCAN MANUFACTURING
www.tuscanmfg.com

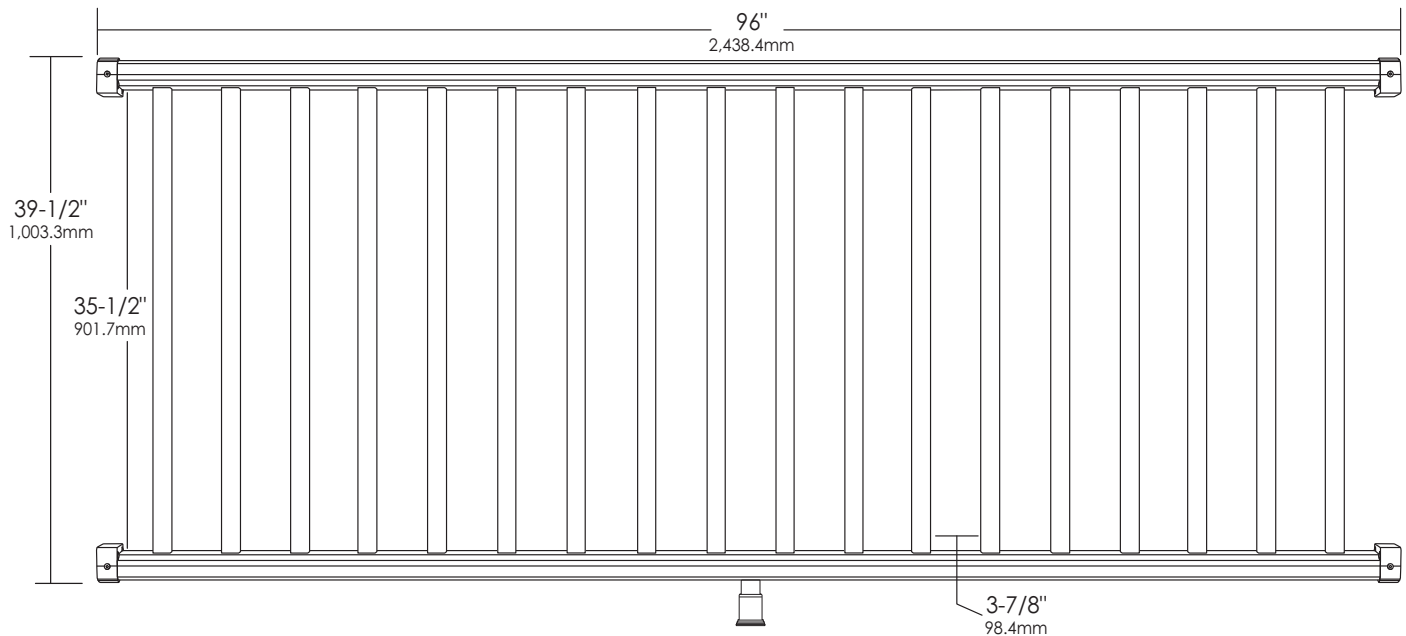
This drawing is the property of Tuscan Manufacturing.
Any hard copy of this drawing may not be current.
This document and or images contained within may not be reproduced in publication format without express written consent of Tuscan Manufacturing. Drawings may not be to scale.

TUSCAN MANUFACTURING

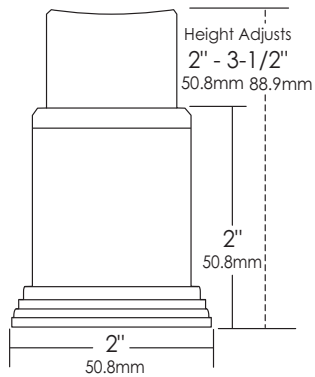
P.O. Box 185 Landisville, PA 17538

UCM REF# T42-581L REV

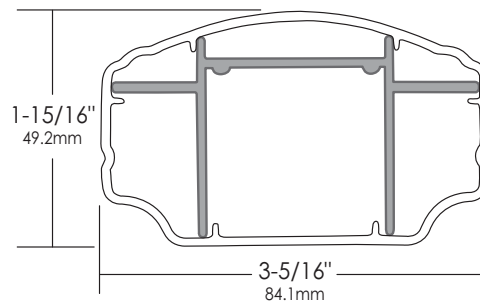
SCALE SHEET# 1 of 1 DRAWN BY DATE tuscan 7/22/09



Adjustable Foot Block



Tuscan Vinyl Railing w/Aluminum Insert

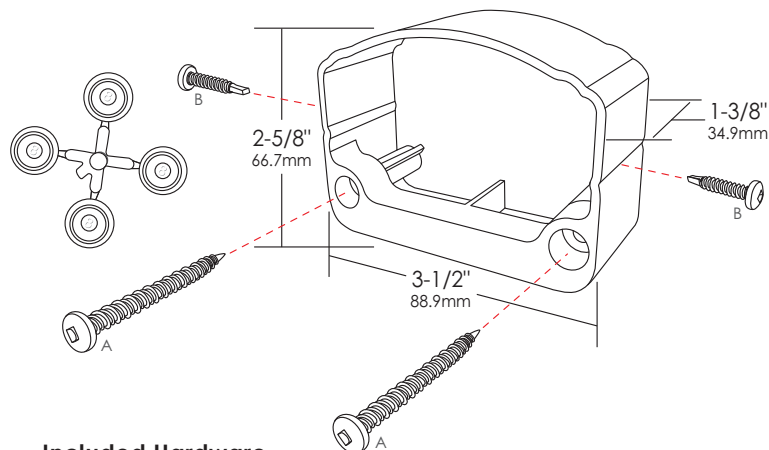


1-3/8" Square Vinyl Baluster



Level Mounting Bracket

Same Bracket for Top and Bottom Rail



Included Hardware

A: #10 - 2" Stainless Steel Screw • #2 Square Drive

B: #10 - 1" Stainless Steel Self-Tapping Screw • #2 Square Drive

C: 4 Screw Caps



TUSCAN
MANUFACTURING
www.tuscanmfg.com

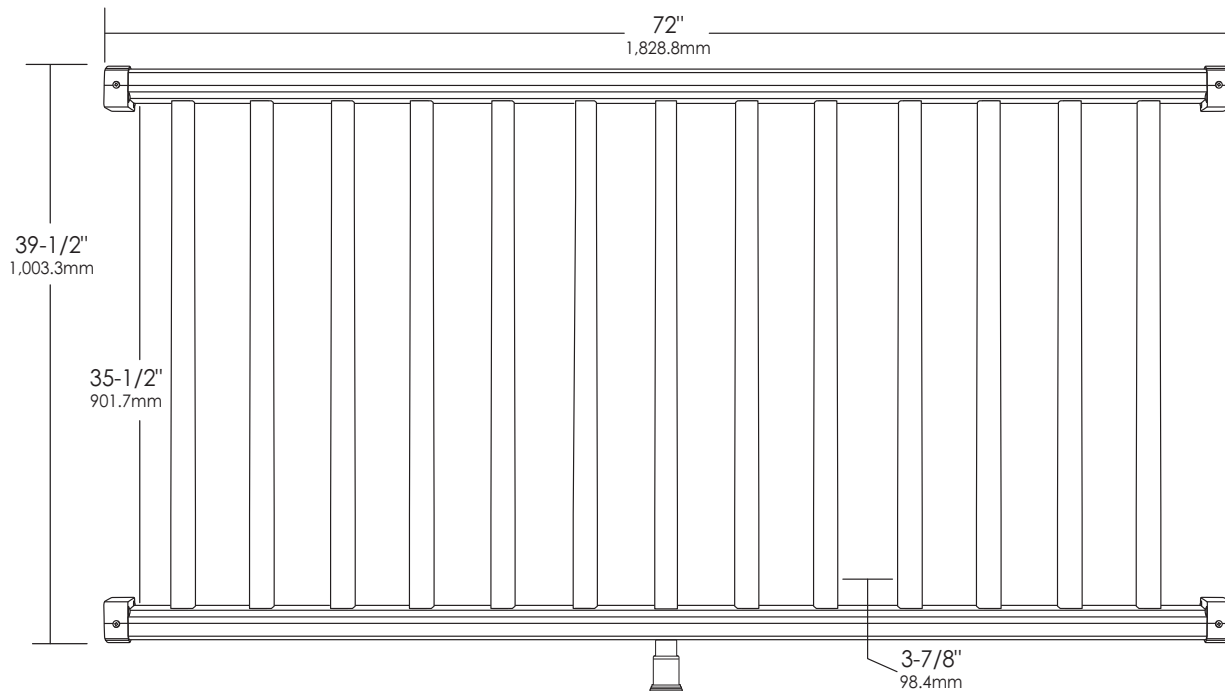
This drawing is the property of Tuscan Manufacturing.
Any hard copy of this drawing may not be current.
This document and or images contained within may not be reproduced in publication format without express written consent of Tuscan Manufacturing. Drawings may not be to scale.

TUSCAN MANUFACTURING

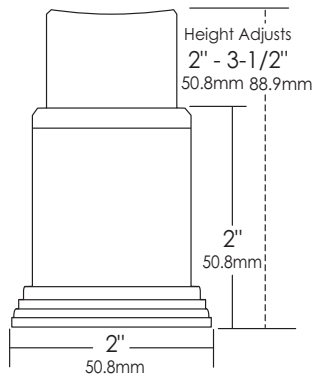
P.O. Box 185 Landisville, PA 17538

UCM REF# T42-561L REV

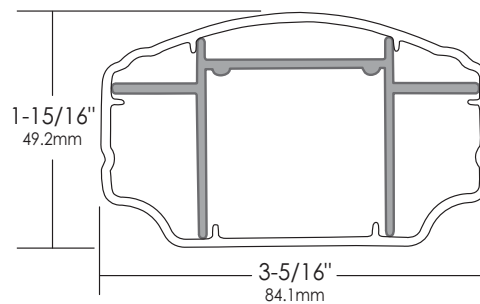
SCALE SHEET# 1 of 1 DRAWN BY tuscan DATE 7/21/09



Adjustable Foot Block



Tuscan Vinyl Railing w/Aluminum Insert

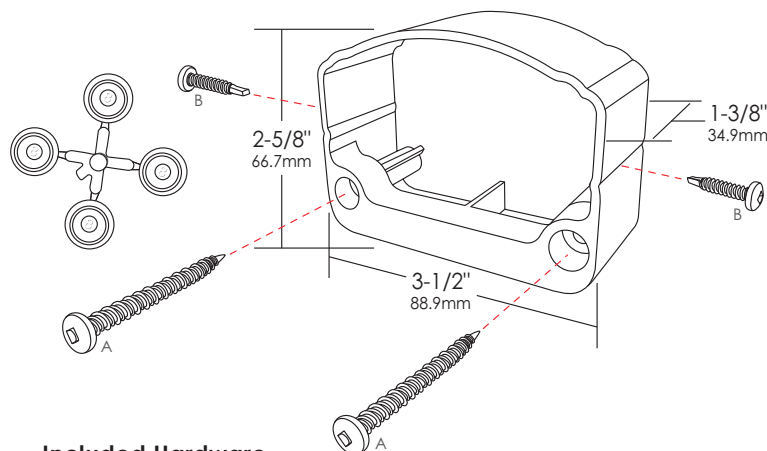


1-3/8" Square Vinyl Baluster



Level Mounting Bracket

Same Bracket for Top and Bottom Rail



Included Hardware

A: #10 - 2" Stainless Steel Screw • #2 Square Drive

B: #10 - 1" Stainless Steel Self-Tapping Screw • #2 Square Drive

C: 4 Screw Caps



TUSCAN
MANUFACTURING
www.tuscanmfg.com

DOCUMENT TITLE:

10' Level Rail Kit w/Square Balusters

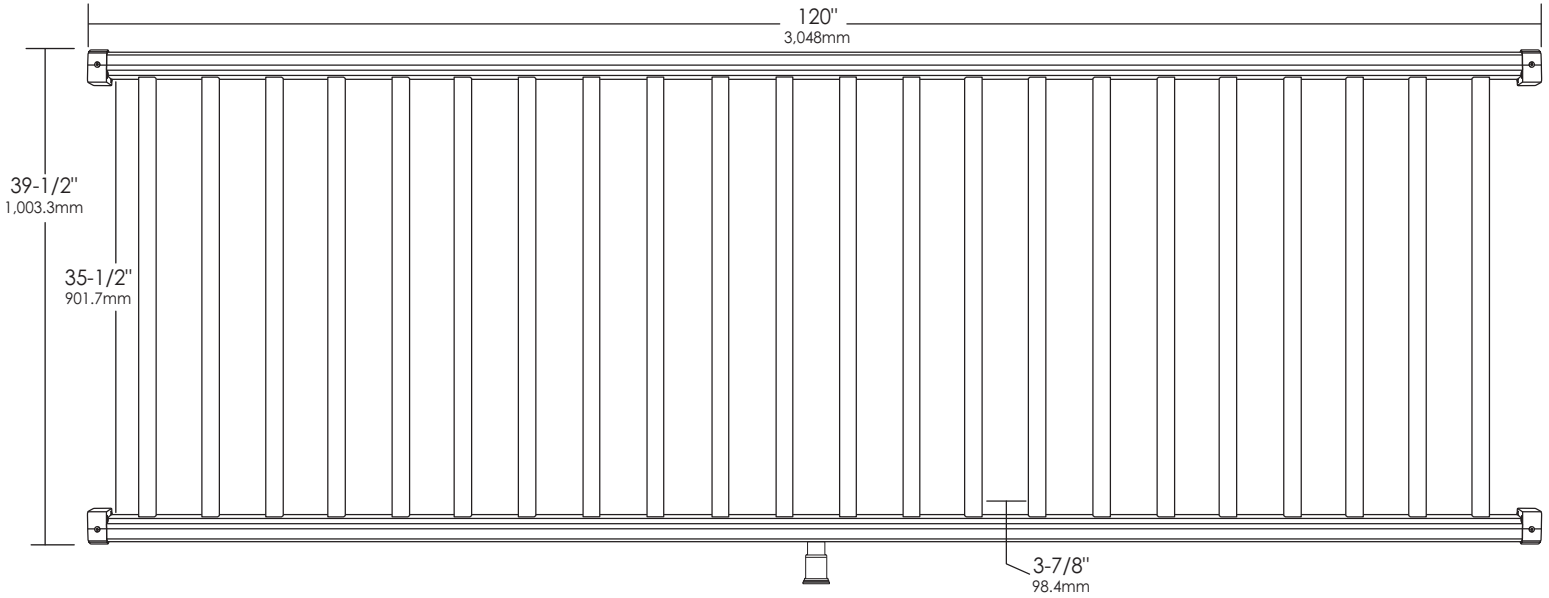
This drawing is the property of Tuscan Manufacturing. Any hard copy of this drawing may not be current. This document and or images contained within may not be reproduced in publication format without express written consent of Tuscan Manufacturing. Drawings may not be to scale.

TUSCAN MANUFACTURING

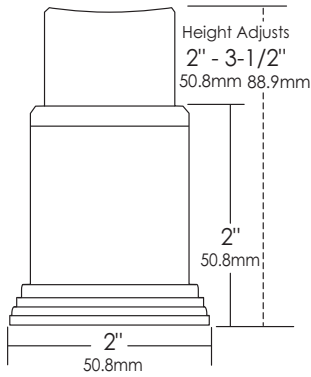
P.O. Box 185 Landisville, PA 17538

UCM inch/mm	REF# T42-511L	REV
----------------	------------------	-----

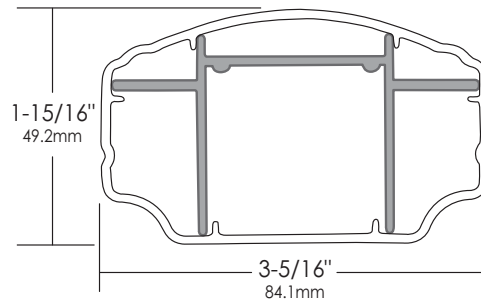
SCALE	SHEET# 1 of 1	DRAWN BY tuscan	DATE 7/22/09
-------	------------------	--------------------	-----------------



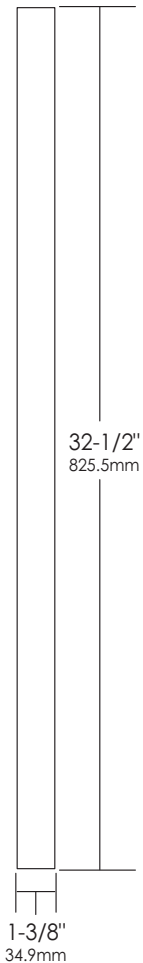
Adjustable Foot Block



Tuscan Vinyl Railing w/Aluminum Insert

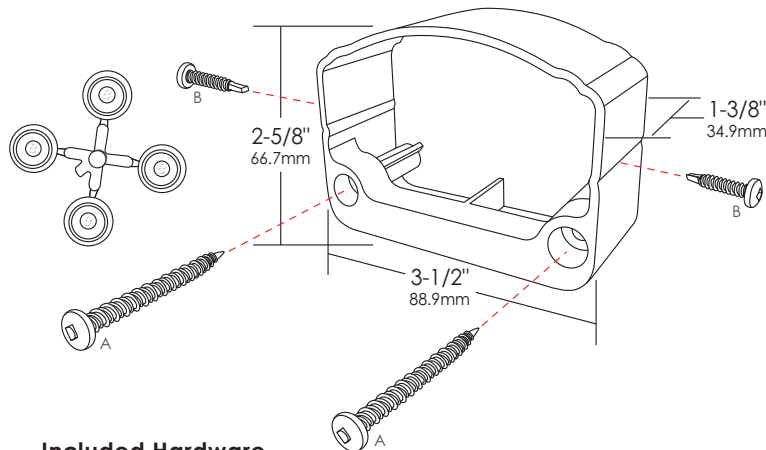


1-3/8" Square Vinyl Baluster



Level Mounting Bracket

Same Bracket for Top and Bottom Rail



Included Hardware

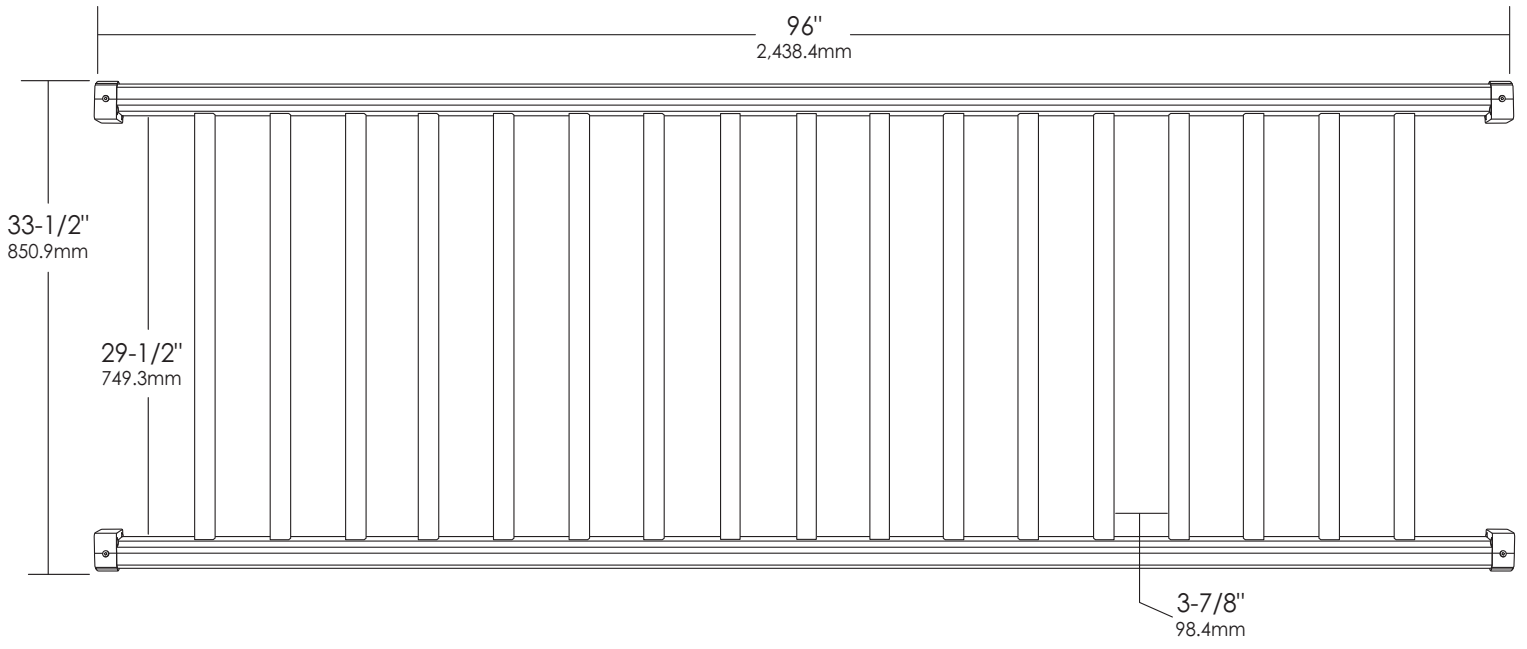
- A: #10 - 2" Stainless Steel Screw • #2 Square Drive
- B: #10 - 1" Stainless Steel Self-Tapping Screw • #2 Square Drive
- C: 4 Screw Caps



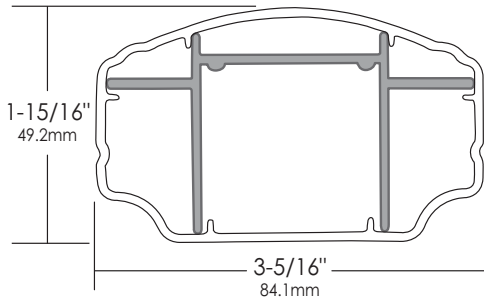
TUSCAN MANUFACTURING
www.tuscanmfg.com

This drawing is the property of Tuscan Manufacturing. Any hard copy of this drawing may not be current. This document and or images contained within may not be reproduced in publication format without express written consent of Tuscan Manufacturing. Drawings may not be to scale.

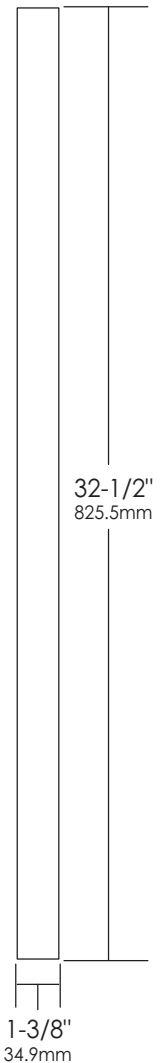
TUSCAN MANUFACTURING			
P.O. Box 185 Landisville, PA 17538			
UCM inch/mm	REF#	REV	
	T36-581S		
SCALE	SHEET#	DRAWN BY	DATE
	1 of 1	tuscan	7/28/09



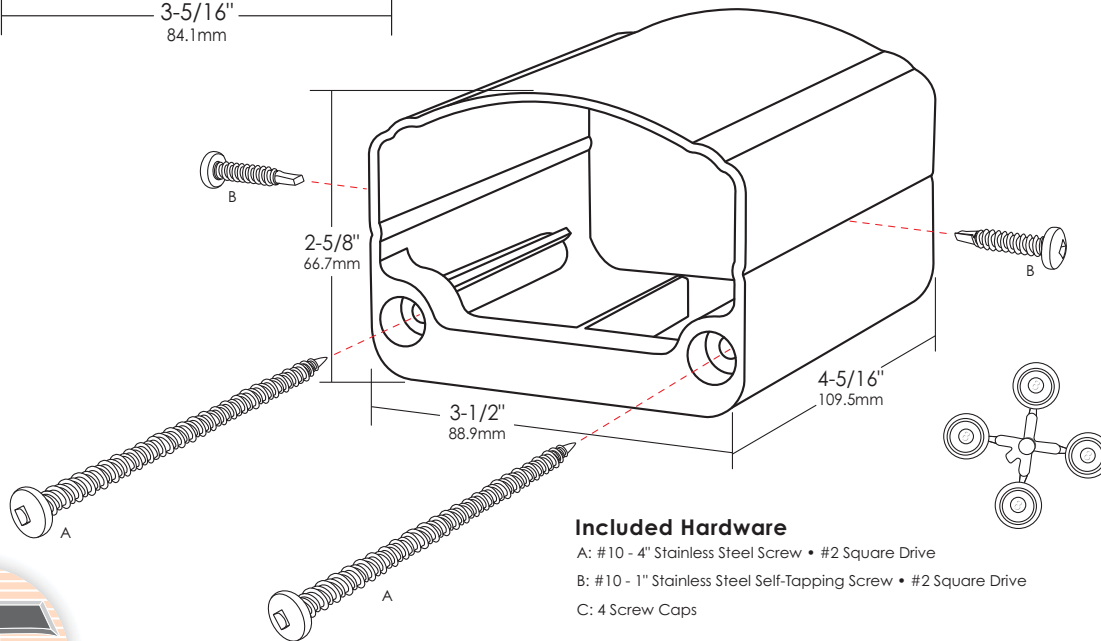
Tuscan Vinyl Railing
w/Aluminum Insert



1-3/8" Square Vinyl Baluster



Stair Mounting Bracket
Same Bracket for Top and Bottom Rail



Included Hardware

- A: #10 - 4" Stainless Steel Screw • #2 Square Drive
- B: #10 - 1" Stainless Steel Self-Tapping Screw • #2 Square Drive
- C: 4 Screw Caps



TUSCAN
MANUFACTURING
www.tuscanmfg.com

DOCUMENT TITLE:

6' Stair Rail Kit w/Square Balusters

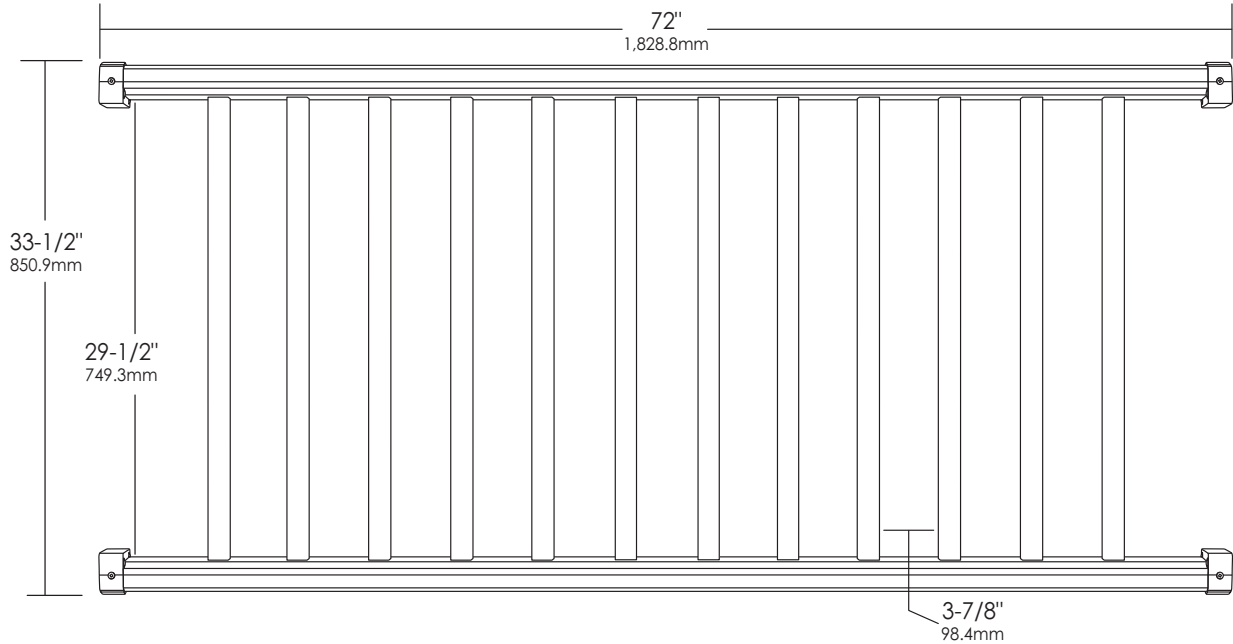
This drawing is the property of Tuscan Manufacturing.
 Any hard copy of this drawing may not be current.
 This document and or images contained within may not be reproduced in publication format without express written consent of Tuscan Manufacturing. Drawings may not be to scale.

TUSCAN MANUFACTURING

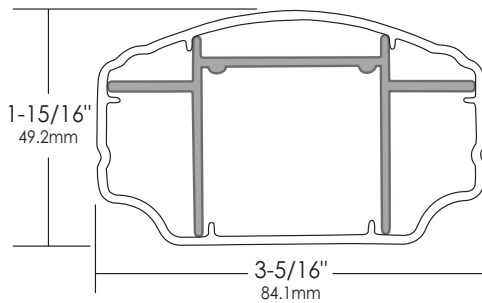
P.O. Box 185 Landisville, PA 17538

UCM Inch/mm	REF# T36-561S	REV
----------------	------------------	-----

SCALE	SHEET# 1 of 1	DRAWN BY Tuscan	DATE 7/28/09
-------	------------------	--------------------	-----------------



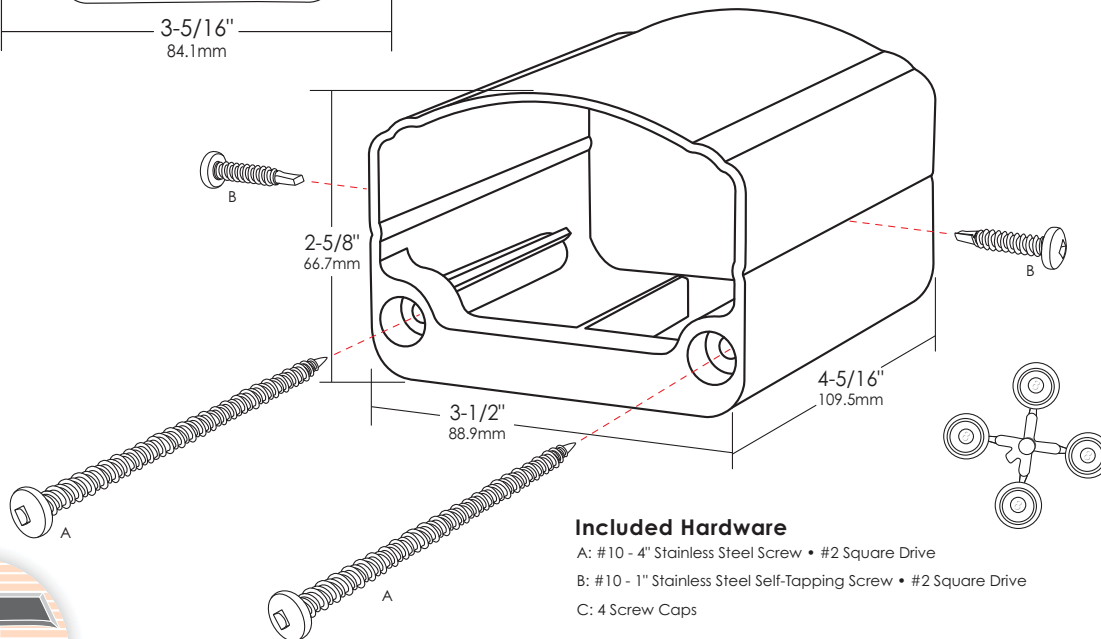
Tuscan Vinyl Railing
w/Aluminum Insert



1-3/8" Square Vinyl Baluster



Stair Mounting Bracket
Same Bracket for Top and Bottom Rail



Included Hardware

- A: #10 - 4" Stainless Steel Screw • #2 Square Drive
- B: #10 - 1" Stainless Steel Self-Tapping Screw • #2 Square Drive
- C: 4 Screw Caps



TUSCAN
MANUFACTURING
www.tuscanmfg.com

DOCUMENT TITLE:

8' Stair Rail Kit w/Square Balusters

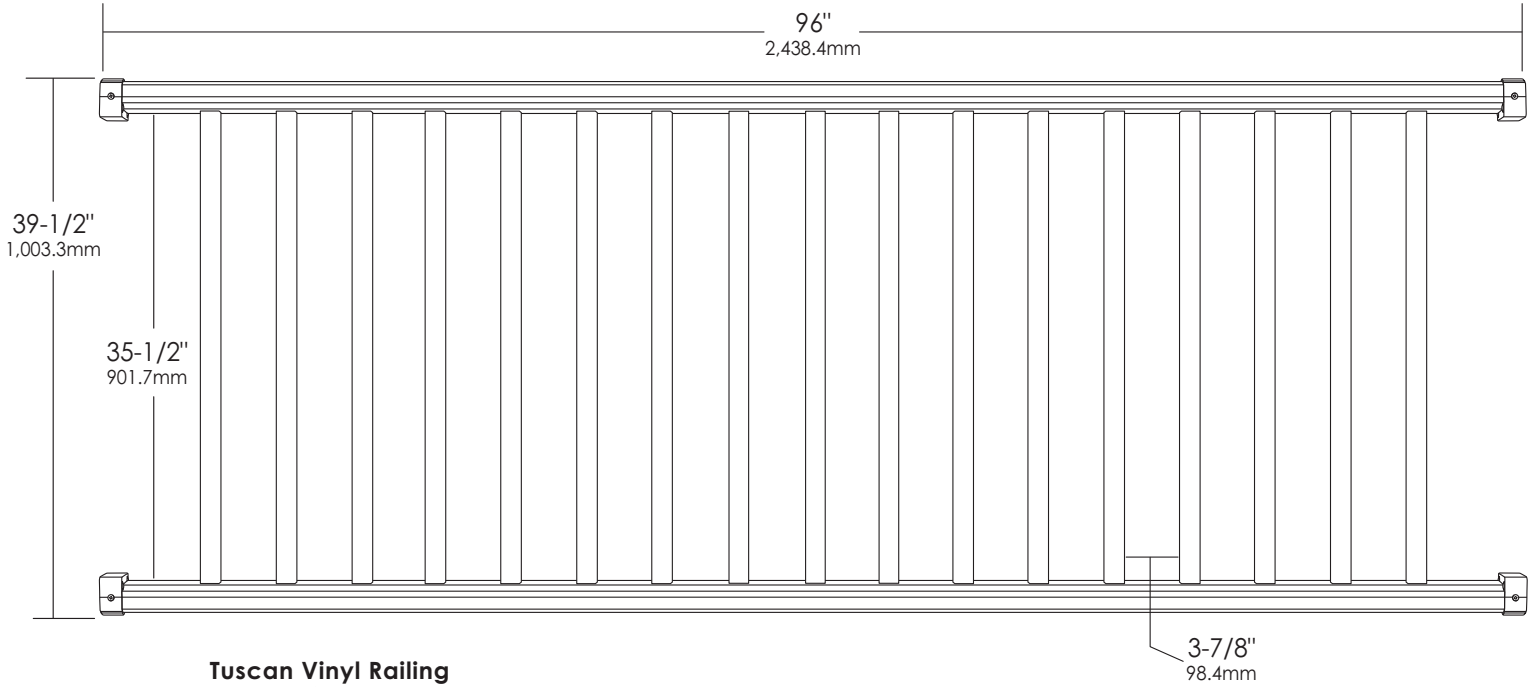
This drawing is the property of Tuscan Manufacturing.
Any hard copy of this drawing may not be current.
This document and or images contained within may not be reproduced in publication format without express written consent of Tuscan Manufacturing. Drawings may not be to scale.

TUSCAN MANUFACTURING

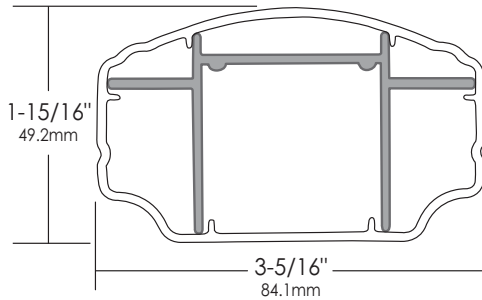
P.O. Box 185 Landisville, PA 17538

UCM NUMBER	REF#	REV
	T42-581S	

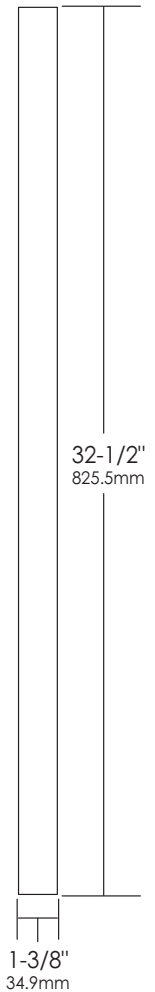
SCALE	SHEET#	DRAWN BY	DATE
	1 of 1	Tuscan	7/28/09



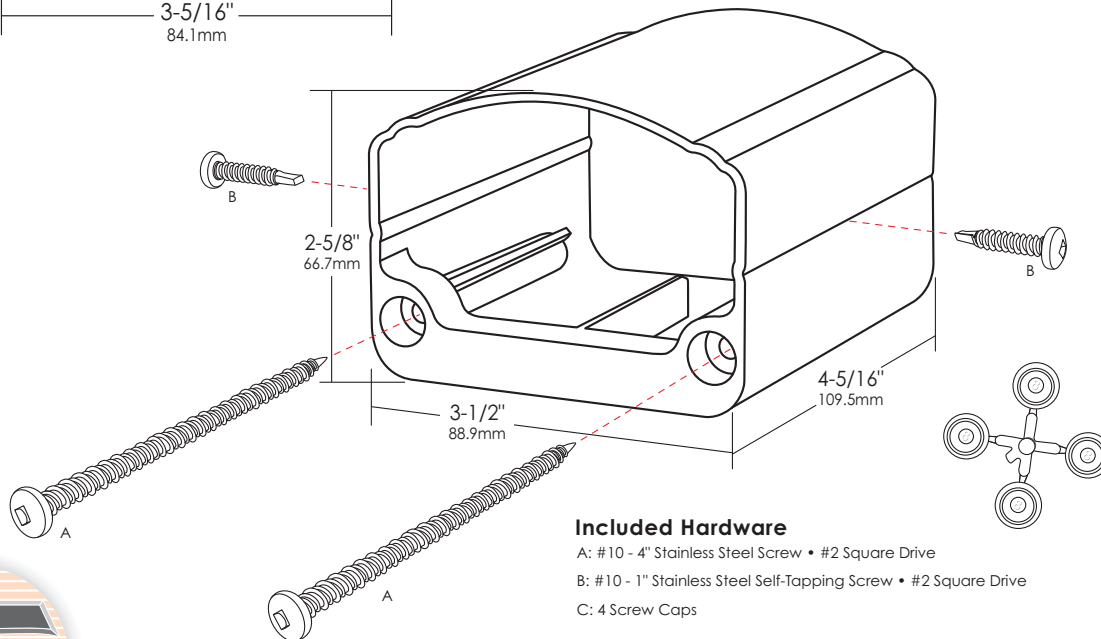
Tuscan Vinyl Railing
w/Aluminum Insert



1-3/8" Square Vinyl Baluster



Stair Mounting Bracket
Same Bracket for Top and Bottom Rail



Included Hardware

- A: #10 - 4" Stainless Steel Screw • #2 Square Drive
- B: #10 - 1" Stainless Steel Self-Tapping Screw • #2 Square Drive
- C: 4 Screw Caps



TUSCAN
MANUFACTURING
www.tuscanmfg.com

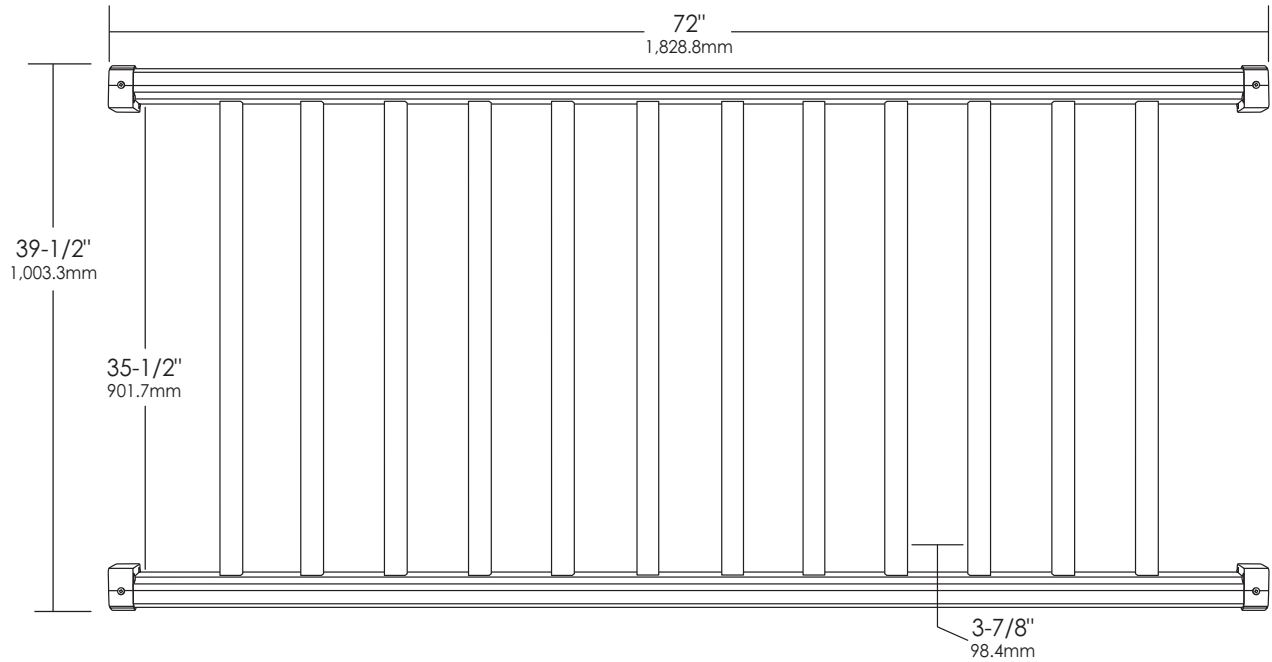
This drawing is the property of Tuscan Manufacturing.
Any hard copy of this drawing may not be current.
This document and or images contained within may not be reproduced in publication format without express written consent of Tuscan Manufacturing. Drawings may not be to scale.

TUSCAN MANUFACTURING

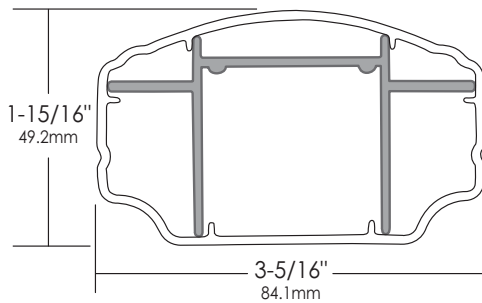
P.O. Box 185 Landisville, PA 17538

UCM REF# T42-561S

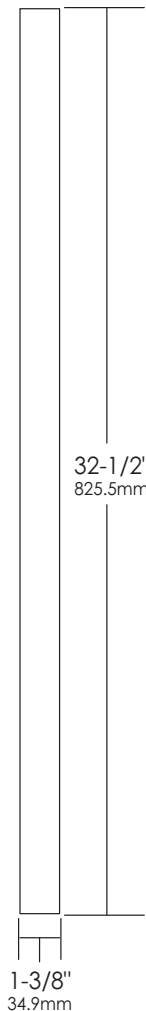
SCALE SHEET# 1 of 1 DRAWN BY tuscan DATE 7/28/09



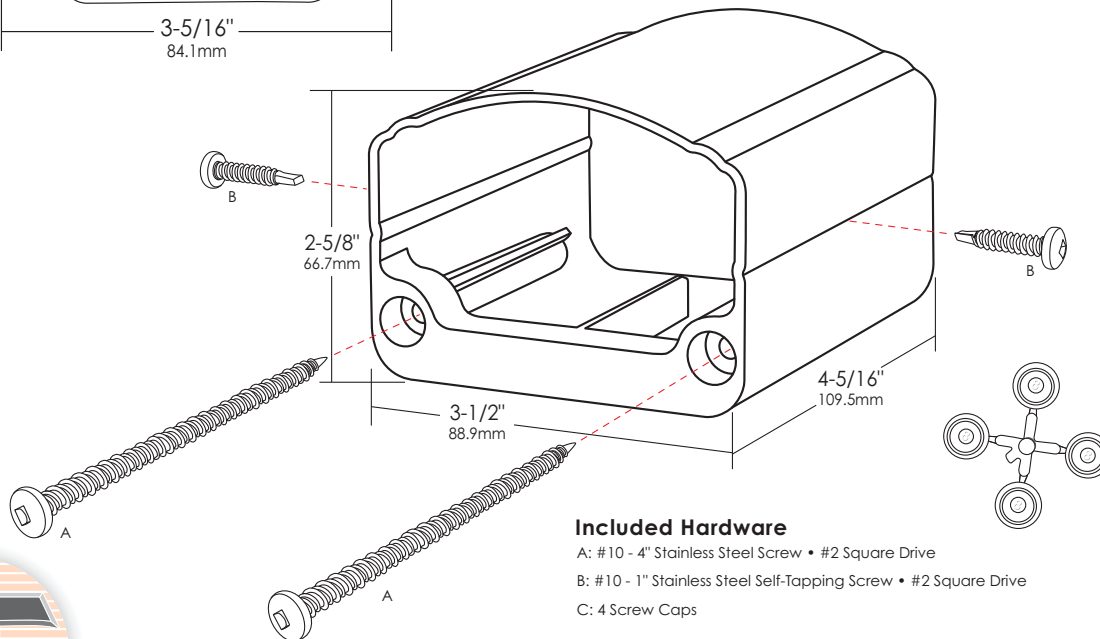
Tuscan Vinyl Railing
w/Aluminum Insert



1-3/8" Square Vinyl Baluster



Stair Mounting Bracket
Same Bracket for Top and Bottom Rail



Included Hardware

- A: #10 - 4" Stainless Steel Screw • #2 Square Drive
- B: #10 - 1" Stainless Steel Self-Tapping Screw • #2 Square Drive
- C: 4 Screw Caps



TUSCAN
MANUFACTURING
www.tuscanmfg.com

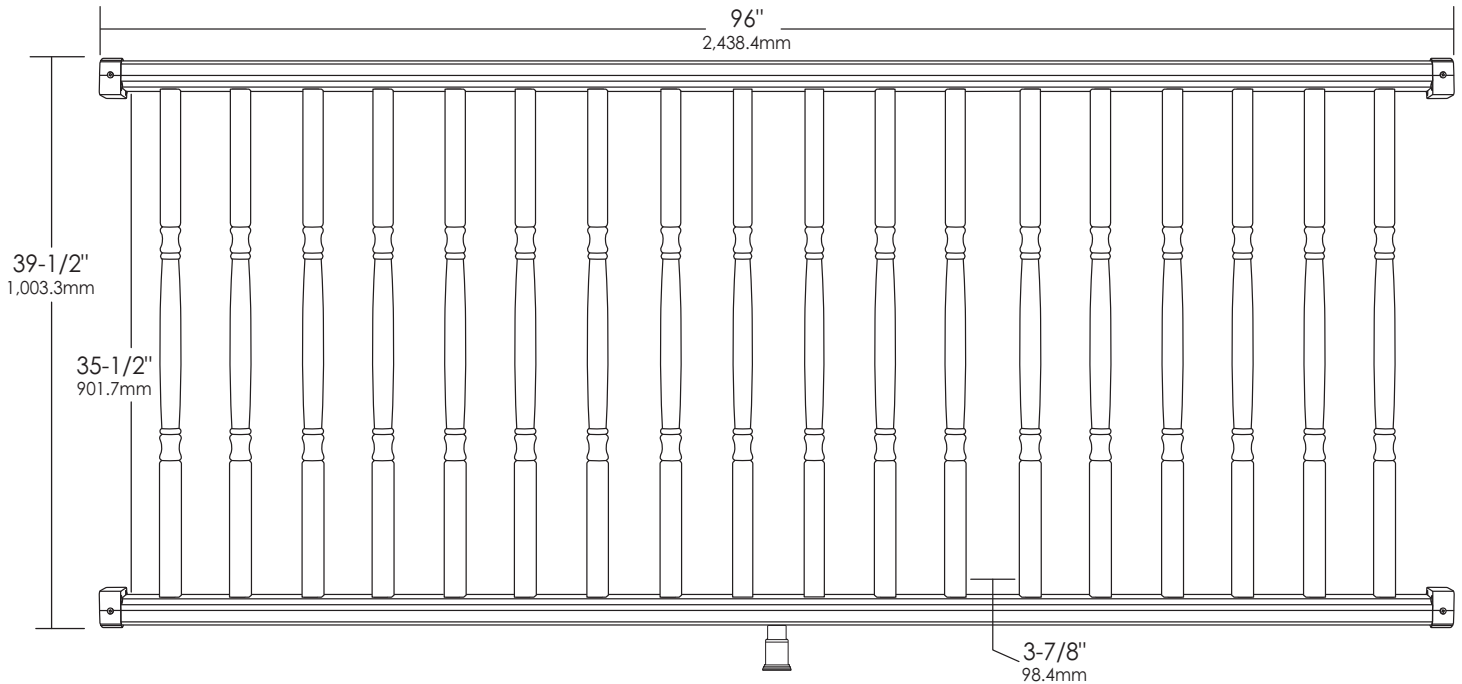
This drawing is the property of Tuscan Manufacturing.
Any hard copy of this drawing may not be current.
This document and or images contained within may not be
reproduced in publication format without express written consent
of Tuscan Manufacturing. Drawings may not be to scale.

TUSCAN MANUFACTURING

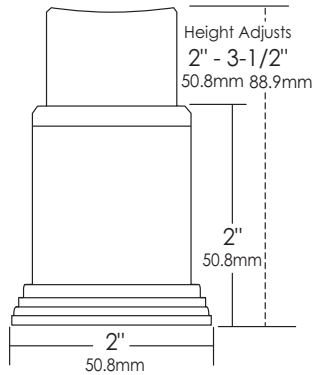
P.O. Box 185 Landisville, PA 17538

UCM REF# T42-582L

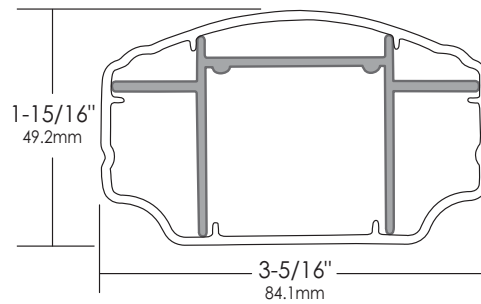
SCALE SHEET# 1 of 1 DRAWN BY tuscan DATE 7/21/09



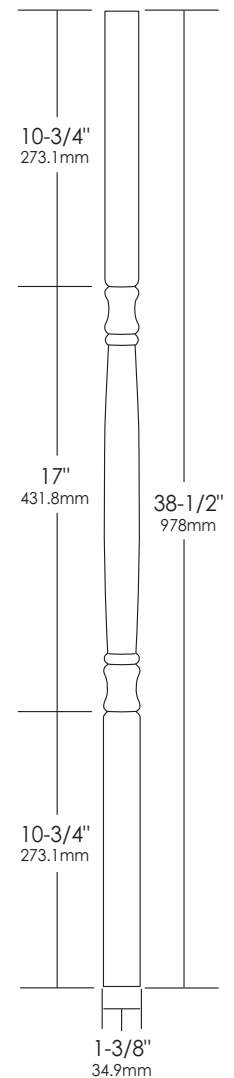
Adjustable Foot Block



Tuscan Vinyl Railing w/Aluminum Insert

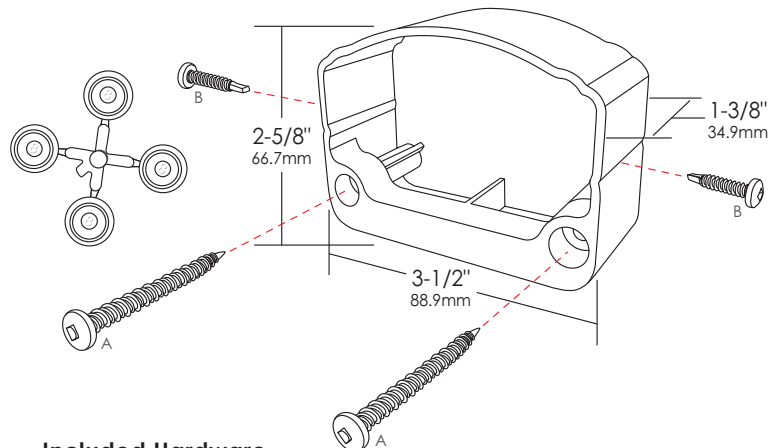


1-3/8" Colonial Baluster



Level Mounting Bracket

Same Bracket for Top and Bottom Rail



Included Hardware

A: #10 - 2" Stainless Steel Screw • #2 Square Drive

B: #10 - 1" Stainless Steel Self-Tapping Screw • #2 Square Drive

C: 4 Screw Caps



TUSCAN
MANUFACTURING
www.tuscanmfg.com

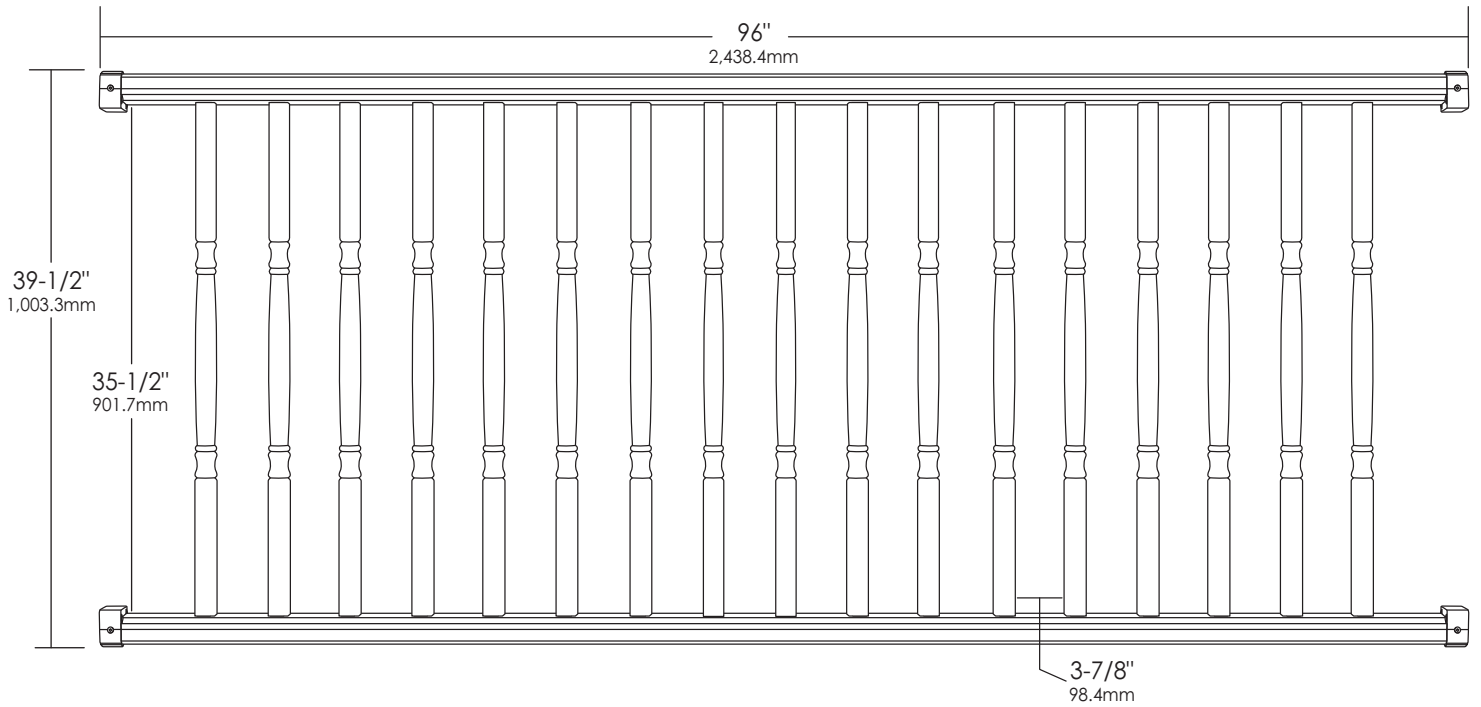
This drawing is the property of Tuscan Manufacturing. Any hard copy of this drawing may not be current. This document and or images contained within may not be reproduced in publication format without express written consent of Tuscan Manufacturing. Drawings may not be to scale.

TUSCAN MANUFACTURING

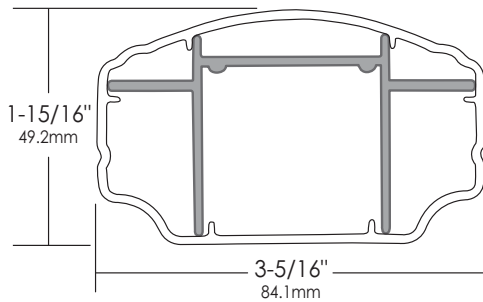
P.O. Box 185 Landisville, PA 17538

UCM REF# T42-582S

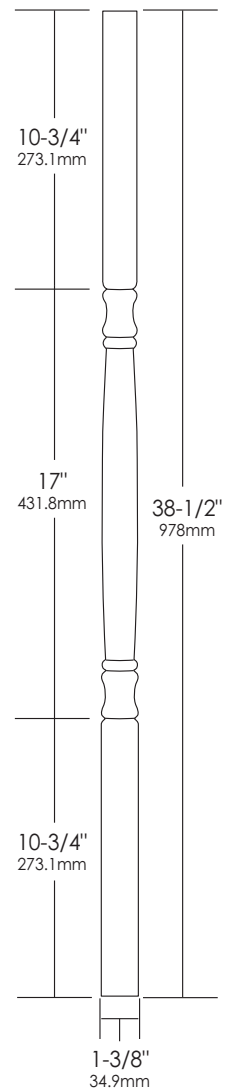
SCALE SHEET# 1 of 1 DRAWN BY tuscan DATE 8/5/09



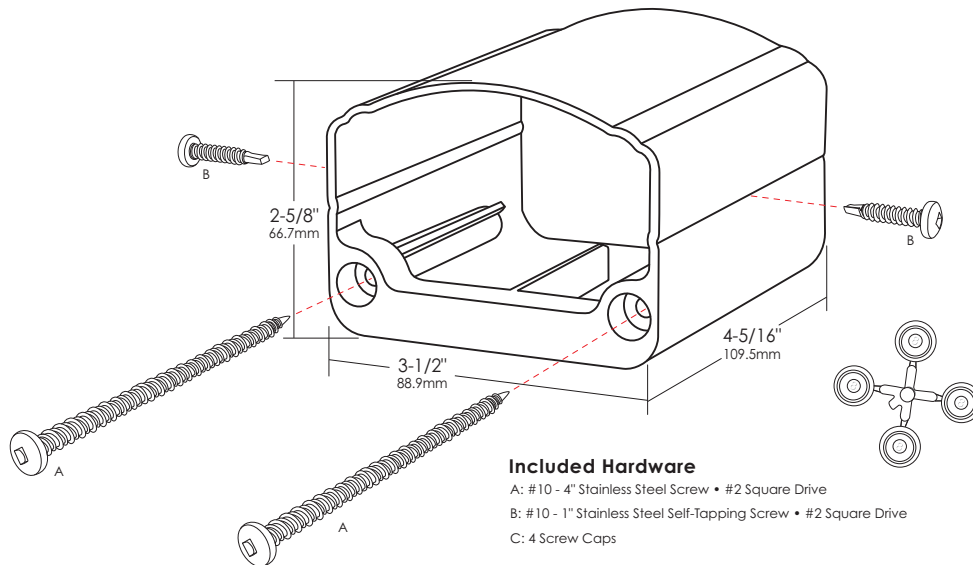
Tuscan Vinyl Railing
w/Aluminum Insert



1-3/8" Colonial Baluster



Stair Mounting Bracket
Same Bracket for Top and Bottom Rail



Included Hardware

- A: #10 - 4" Stainless Steel Screw • #2 Square Drive
- B: #10 - 1" Stainless Steel Self-Tapping Screw • #2 Square Drive
- C: 4 Screw Caps



TUSCAN
MANUFACTURING
www.tuscanmfg.com

DOCUMENT TITLE:

6' Stair Rail Kit w/Colonial Balusters

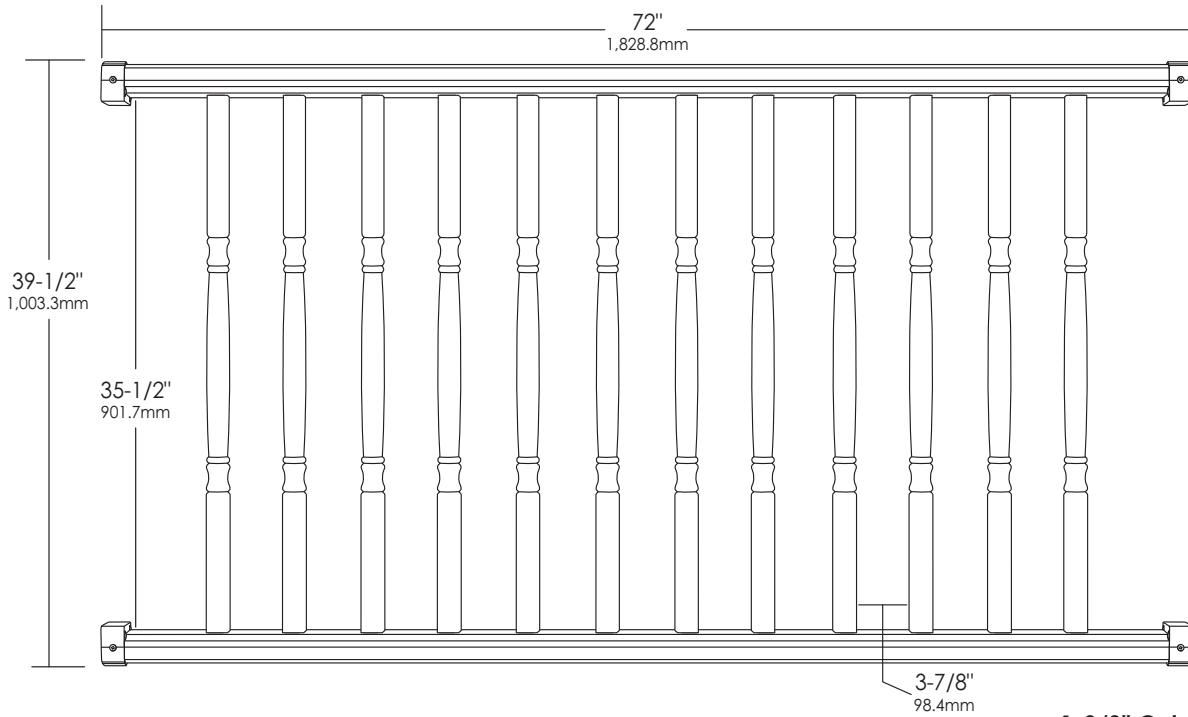
This drawing is the property of Tuscan Manufacturing.
Any hard copy of this drawing may not be current.
This document and or images contained within may not be reproduced in publication format without express written consent of Tuscan Manufacturing. Drawings may not be to scale.

TUSCAN MANUFACTURING

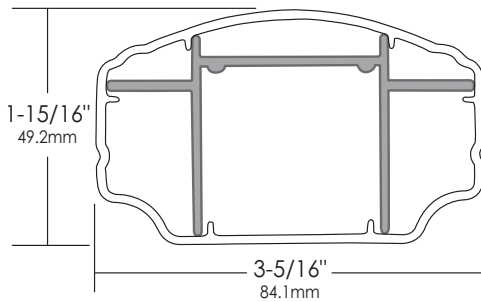
P.O. Box 185 Landisville, PA 17538

UCM REF# T42-562S REV

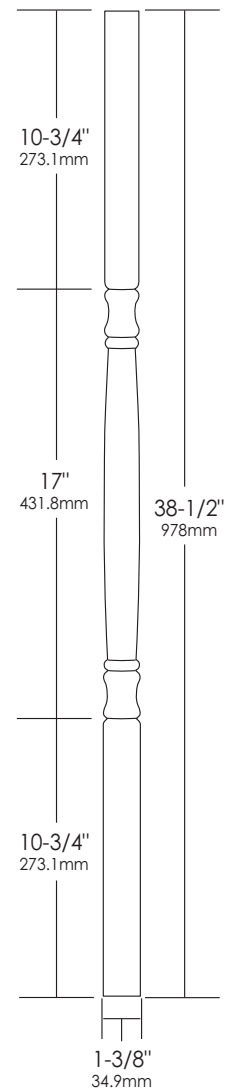
SCALE SHEETS# 1 of 1 DRAWN BY tuscan DATE 7/21/09



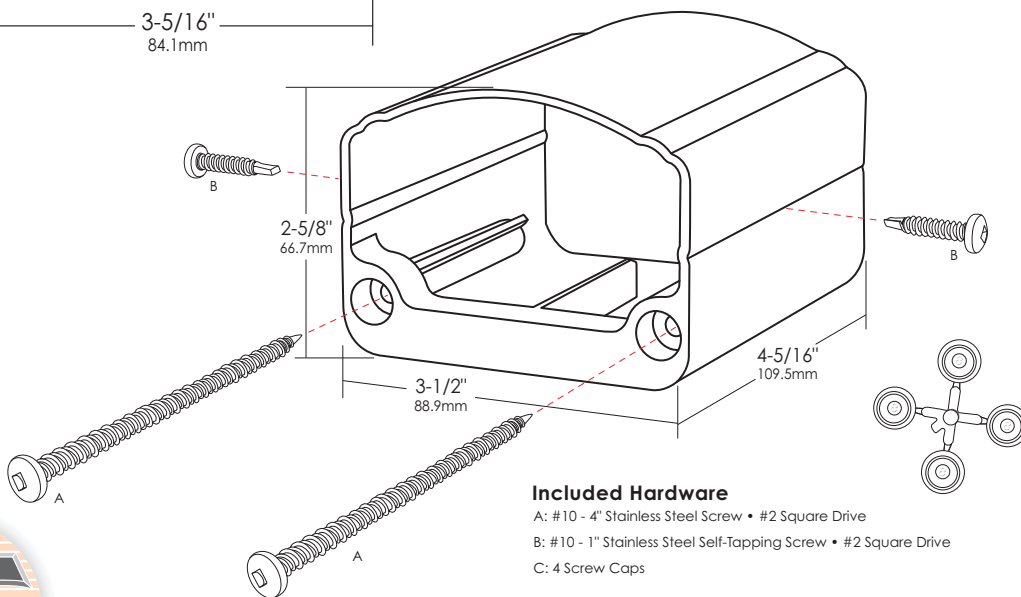
Tuscan Vinyl Railing
w/Aluminum Insert



1-3/8" Colonial Baluster



Stair Mounting Bracket
Same Bracket for Top and Bottom Rail



Included Hardware

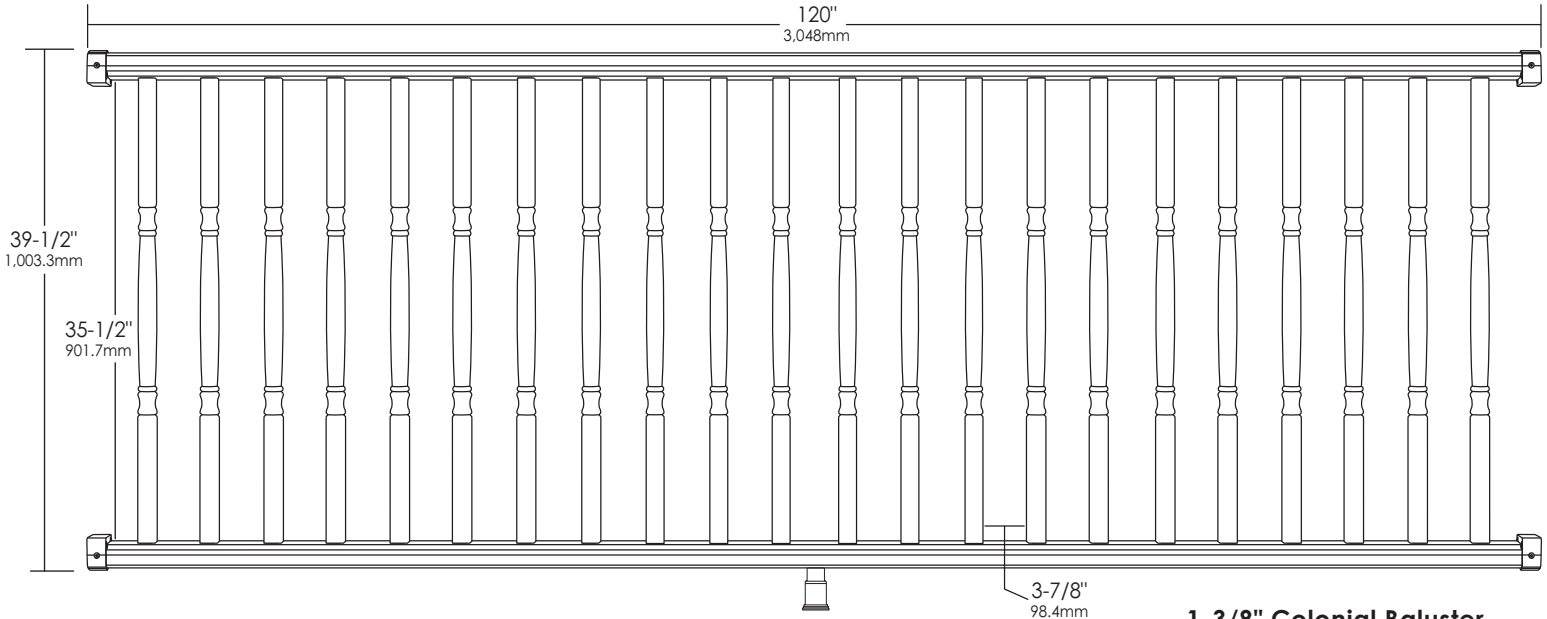
- A: #10 - 4" Stainless Steel Screw • #2 Square Drive
- B: #10 - 1" Stainless Steel Self-Tapping Screw • #2 Square Drive
- C: 4 Screw Caps



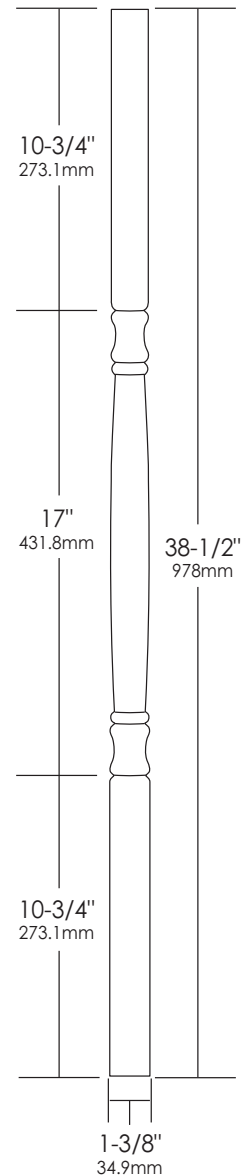
TUSCAN
MANUFACTURING
www.tuscanmfg.com

This drawing is the property of Tuscan Manufacturing. Any hard copy of this drawing may not be current. This document and or images contained within may not be reproduced in publication format without express written consent of Tuscan Manufacturing. Drawings may not be to scale.

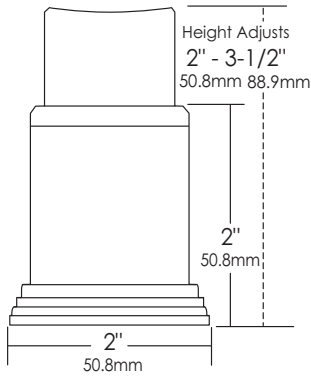
TUSCAN MANUFACTURING			
P.O. Box 185 Landisville, PA 17538			
UCM INCHES	REF# T42-512L	REV	
SCALE	SHEET# 1 of 1	DRAWN BY Tuscan	DATE 7/21/09



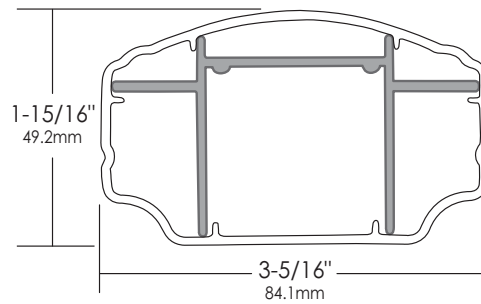
1-3/8" Colonial Baluster



Adjustable Foot Block

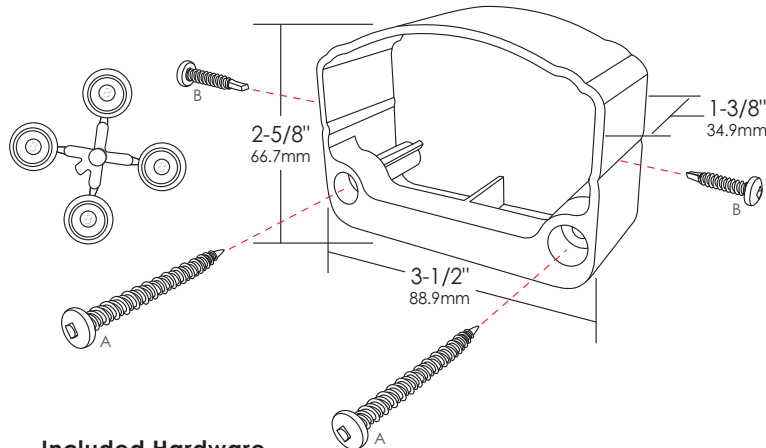


Tuscan Vinyl Railing w/Aluminum Insert



Level Mounting Bracket

Same Bracket for Top and Bottom Rail



Included Hardware

- A: #10 - 2" Stainless Steel Screw • #2 Square Drive
- B: #10 - 1" Stainless Steel Self-Tapping Screw • #2 Square Drive
- C: 4 Screw Caps



TUSCAN MANUFACTURING
www.tuscanmfg.com

DOCUMENT TITLE:

8' Stair Rail Kit w/Colonial Balusters

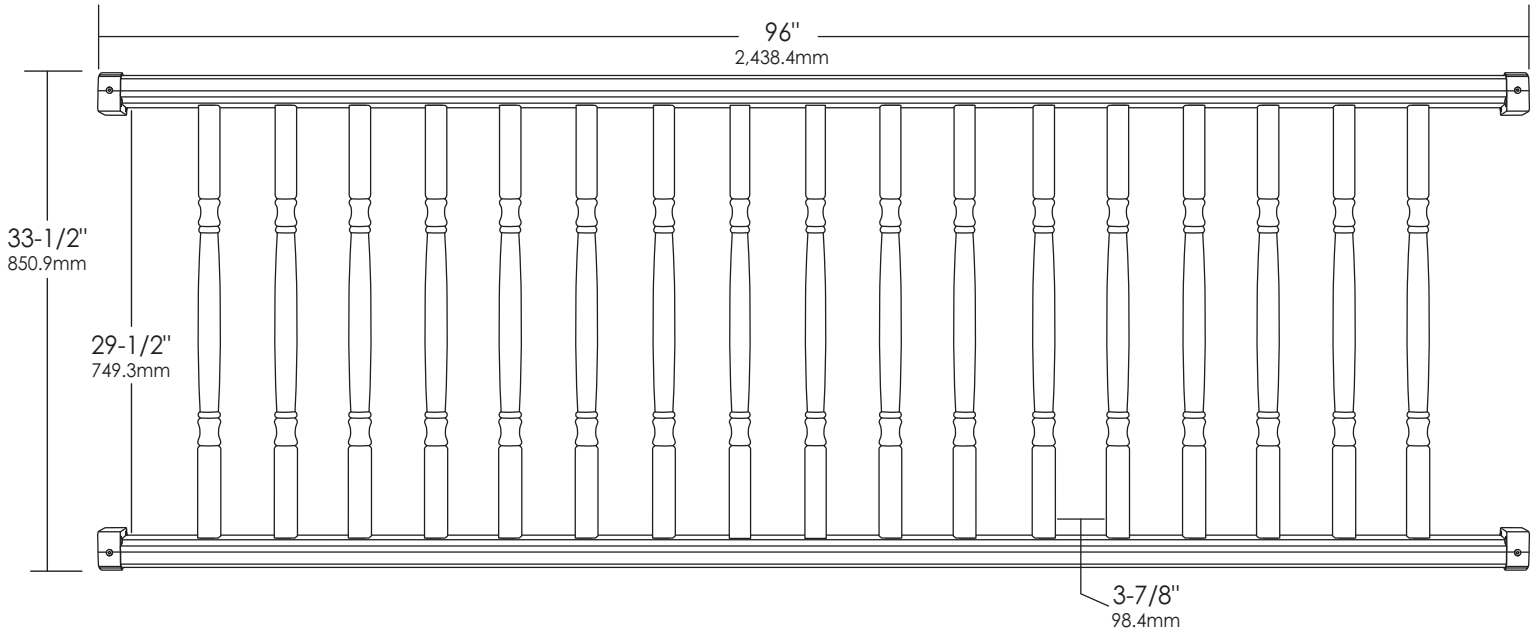
This drawing is the property of Tuscan Manufacturing. Any hard copy of this drawing may not be current. This document and or images contained within may not be reproduced in publication format without express written consent of Tuscan Manufacturing. Drawings may not be to scale.

TUSCAN MANUFACTURING

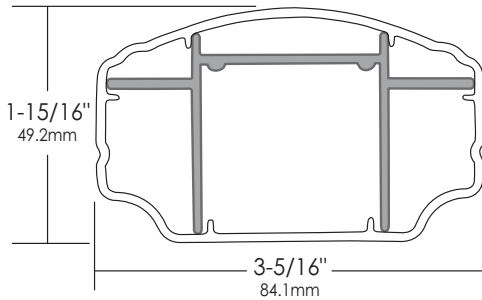
P.O. Box 185 Landisville, PA 17538

UCM REF# T36-582S REV

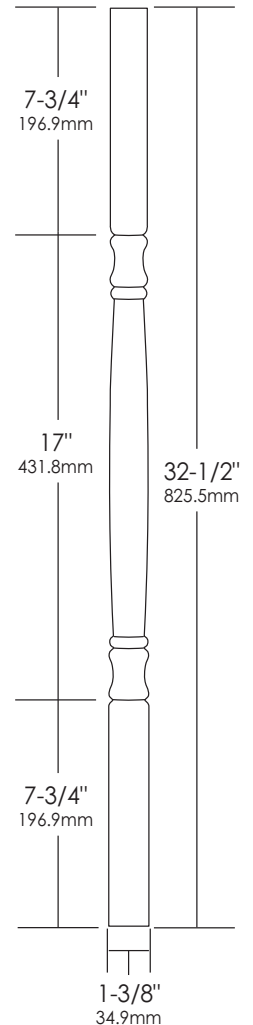
SCALE SHEETS# 1 of 1 DRAWN BY tuscan DATE 8/5/09



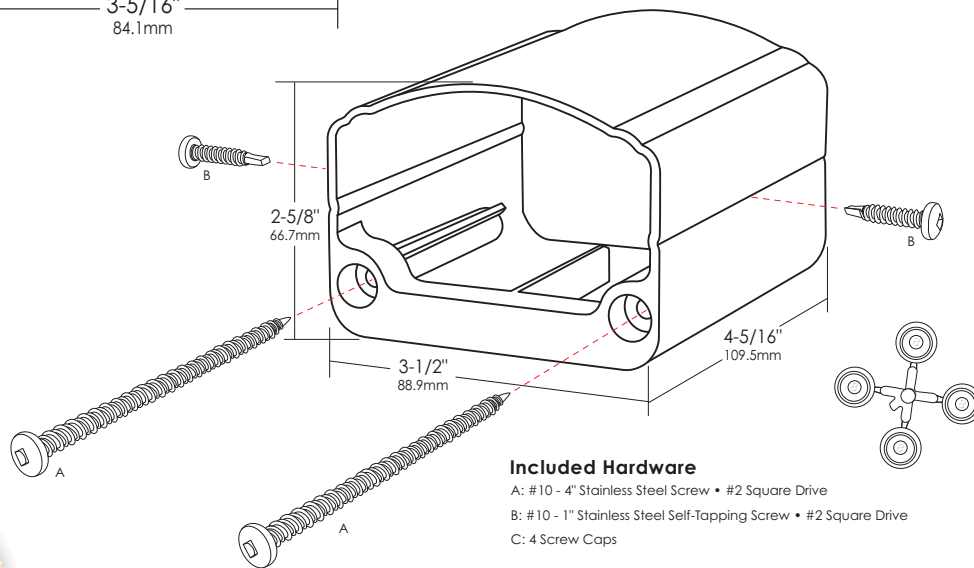
Tuscan Vinyl Railing
w/Aluminum Insert



1-3/8" Colonial Baluster



Stair Mounting Bracket
Same Bracket for Top and Bottom Rail



Included Hardware

- A: #10 - 4" Stainless Steel Screw • #2 Square Drive
- B: #10 - 1" Stainless Steel Self-Tapping Screw • #2 Square Drive
- C: 4 Screw Caps



TUSCAN
MANUFACTURING
www.tuscanmfg.com

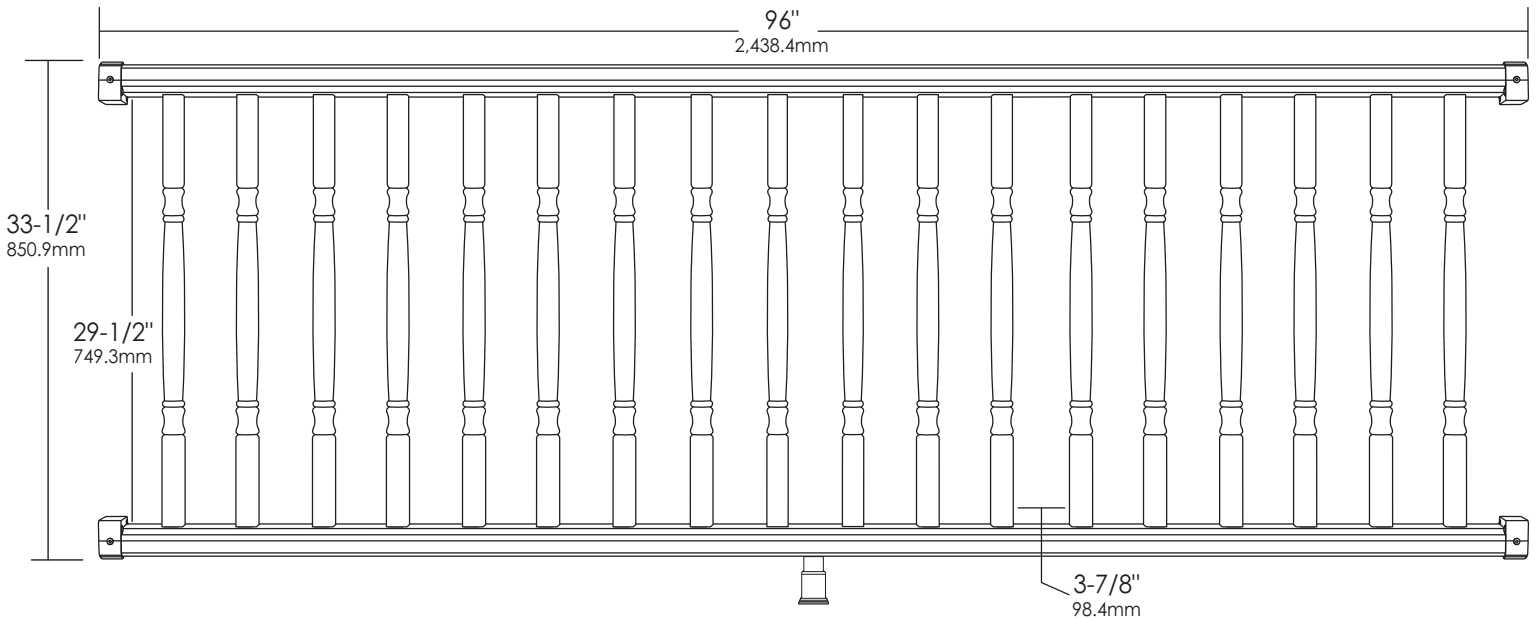
This drawing is the property of Tuscan Manufacturing.
Any hard copy of this drawing may not be current.
This document and or images contained within may not be reproduced in publication format without express written consent of Tuscan Manufacturing. Drawings may not be to scale.

TUSCAN MANUFACTURING

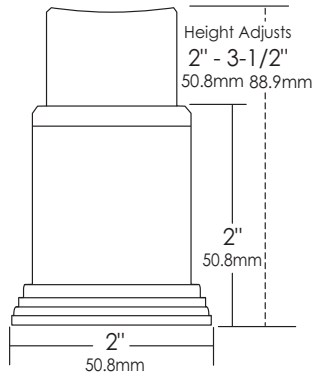
P.O. Box 185 Landisville, PA 17538

UCM REF# T36-582L REV

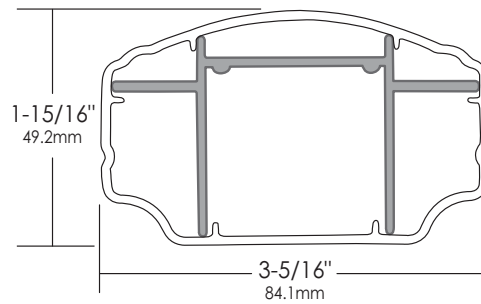
SCALE SHEET# 1 of 1 DRAWN BY tuscan DATE 7/21/09



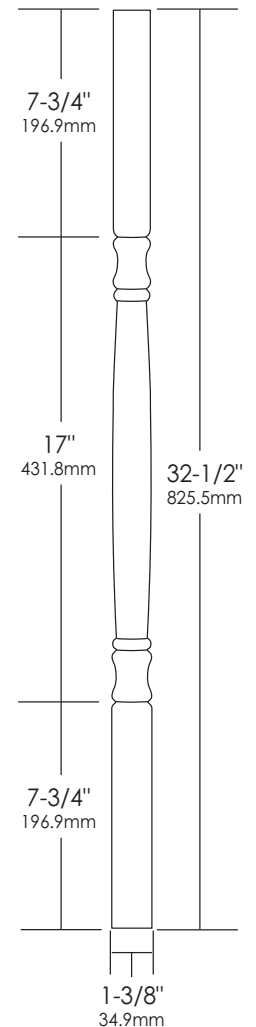
Adjustable Foot Block



Tuscan Vinyl Railing w/Aluminum Insert

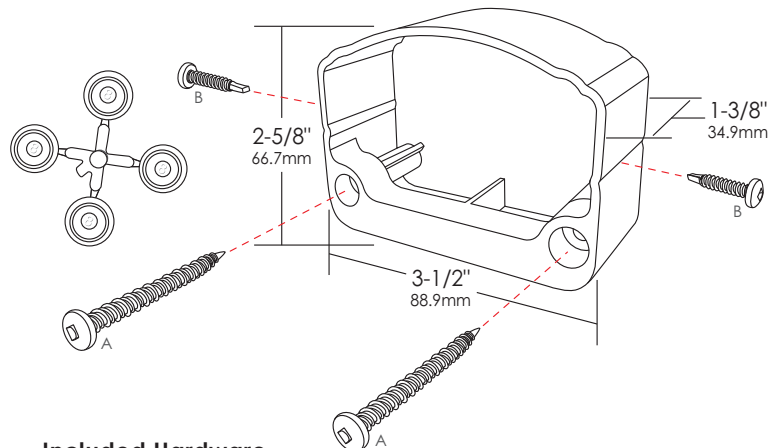


1-3/8" Colonial Baluster



Level Mounting Bracket

Same Bracket for Top and Bottom Rail



Included Hardware

A: #10 - 2" Stainless Steel Screw • #2 Square Drive

B: #10 - 1" Stainless Steel Self-Tapping Screw • #2 Square Drive

C: 4 Screw Caps



TUSCAN
MANUFACTURING
www.tuscanmfg.com

DOCUMENT TITLE:

6' Stair Rail Kit w/Colonial Balusters

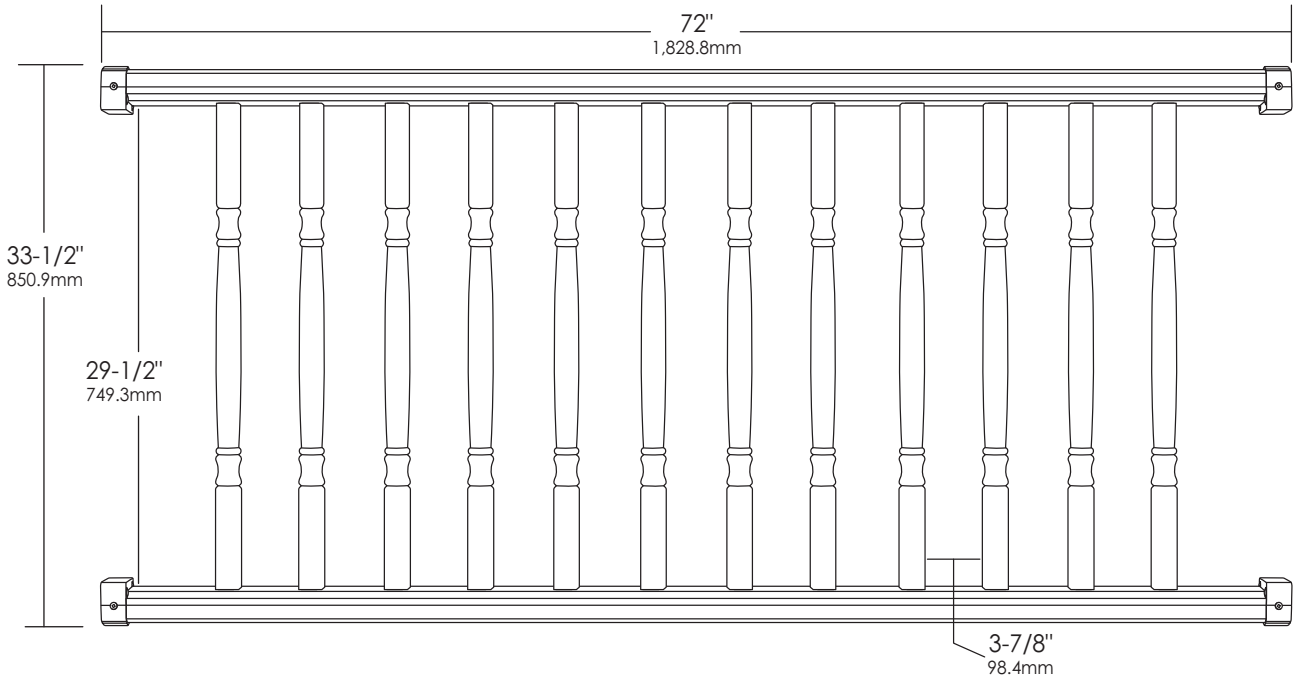
This drawing is the property of Tuscan Manufacturing. Any hard copy of this drawing may not be current. This document and or images contained within may not be reproduced in publication format without express written consent of Tuscan Manufacturing. Drawings may not be to scale.

TUSCAN MANUFACTURING

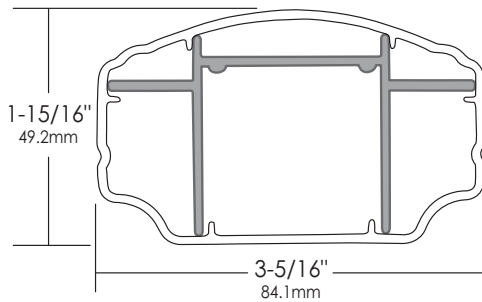
P.O. Box 185 Landisville, PA 17538

UCM REF# T36-562S

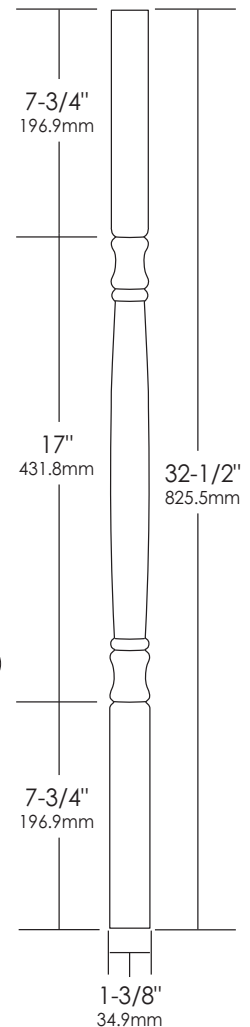
SCALE SHEET# 1 of 1 DRAWN BY tuscan DATE 7/21/09



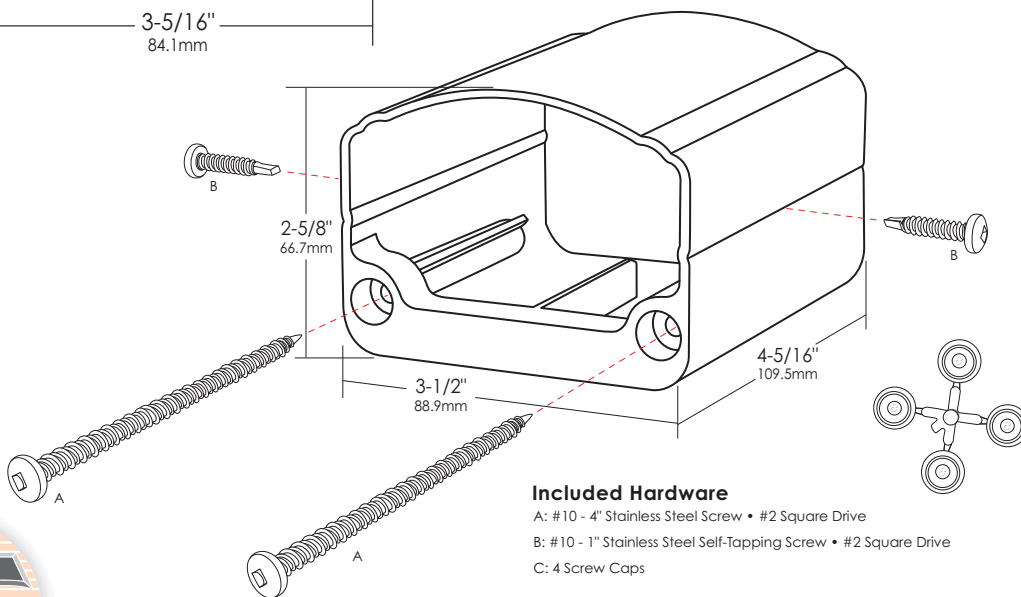
Tuscan Vinyl Railing
w/Aluminum Insert



1-3/8" Colonial Baluster



Stair Mounting Bracket
Same Bracket for Top and Bottom Rail



Included Hardware

A: #10 - 4" Stainless Steel Screw • #2 Square Drive

B: #10 - 1" Stainless Steel Self-Tapping Screw • #2 Square Drive

C: 4 Screw Caps



TUSCAN
MANUFACTURING
www.tuscanmfg.com

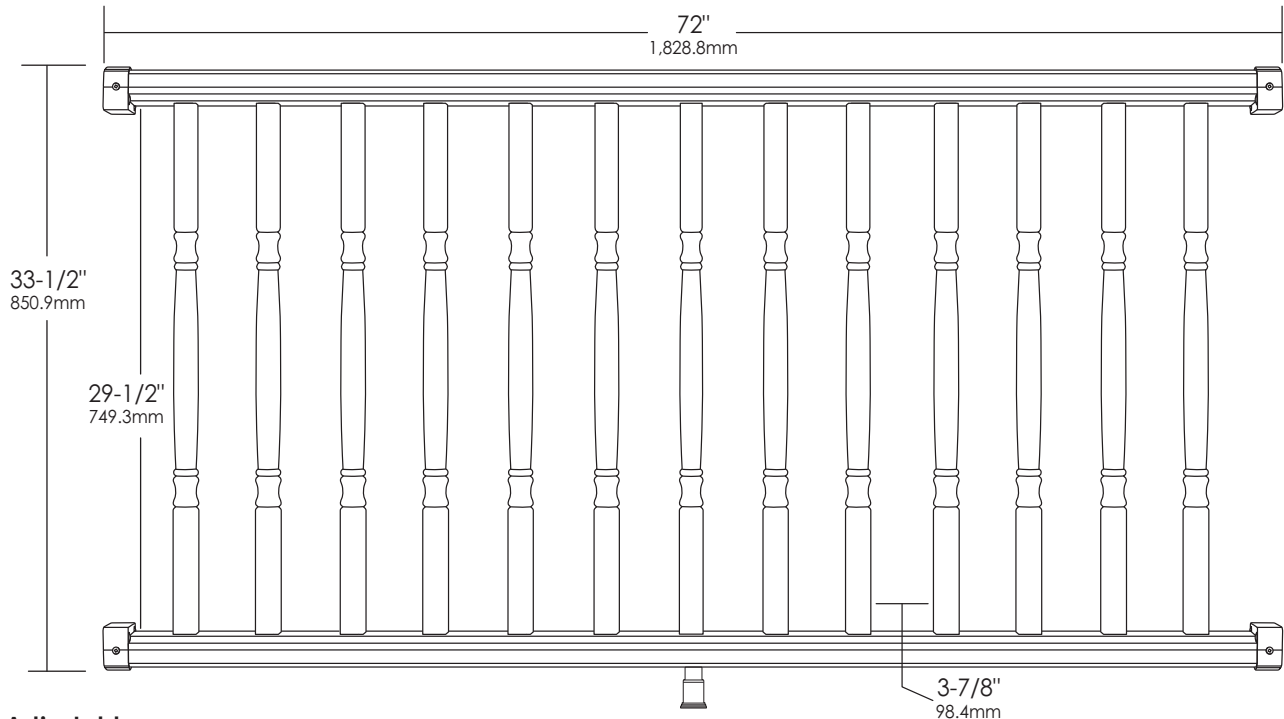
This drawing is the property of Tuscan Manufacturing.
Any hard copy of this drawing may not be current.
This document and or images contained within may not be
reproduced in publication format without express written consent
of Tuscan Manufacturing. Drawings may not be to scale.

TUSCAN MANUFACTURING

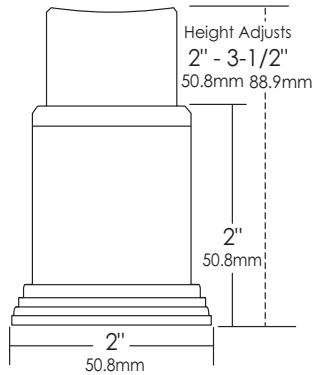
P.O. Box 185 Landisville, PA 17538

UCM REF# T36-562L REV

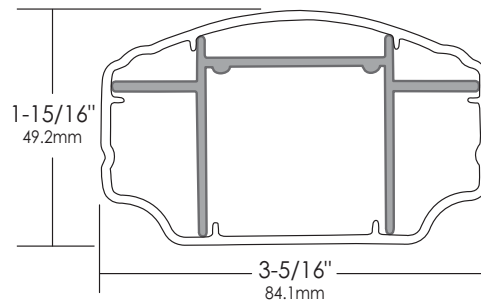
SCALE SHEET# 1 of 1 DRAWN BY DATE 7/21/09



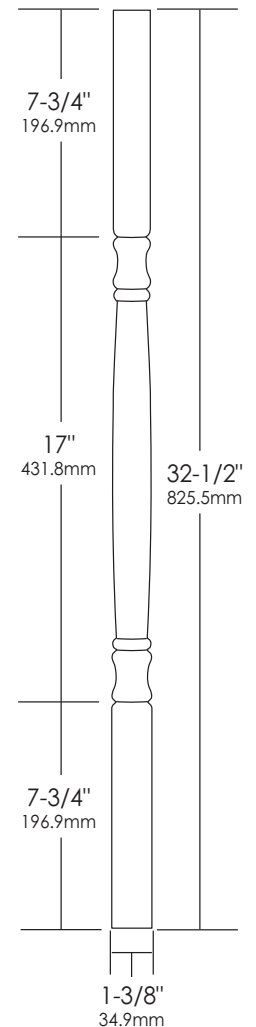
Adjustable Foot Block



Tuscan Vinyl Railing w/Aluminum Insert

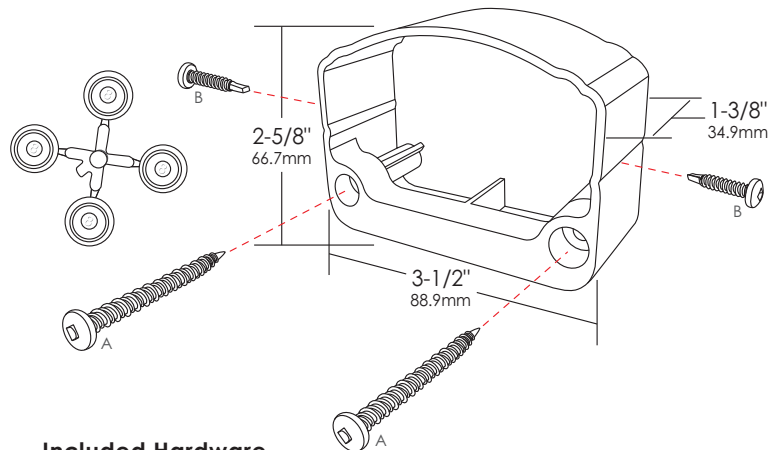


1-3/8" Colonial Baluster



Level Mounting Bracket

Same Bracket for Top and Bottom Rail



Included Hardware

A: #10 - 2" Stainless Steel Screw • #2 Square Drive

B: #10 - 1" Stainless Steel Self-Tapping Screw • #2 Square Drive

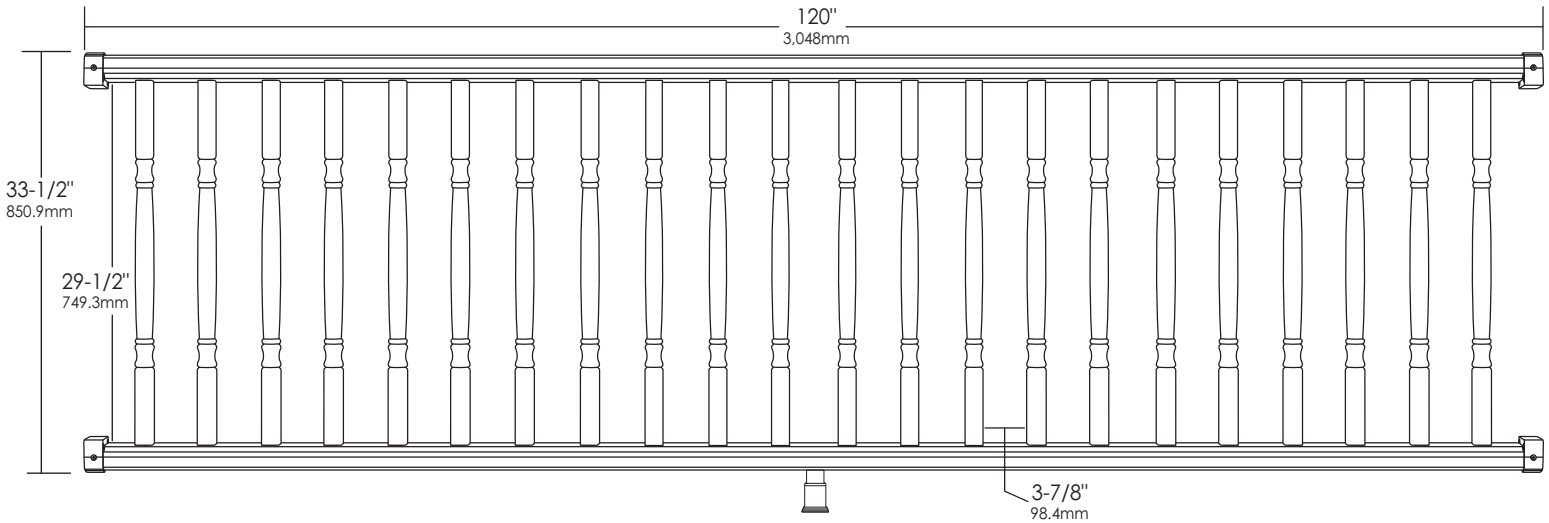
C: 4 Screw Caps



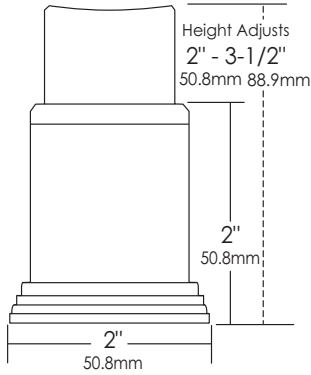
TUSCAN
MANUFACTURING
www.tuscanmfg.com

This drawing is the property of Tuscan Manufacturing. Any hard copy of this drawing may not be current. This document and or images contained within may not be reproduced in publication format without express written consent of Tuscan Manufacturing. Drawings may not be to scale.

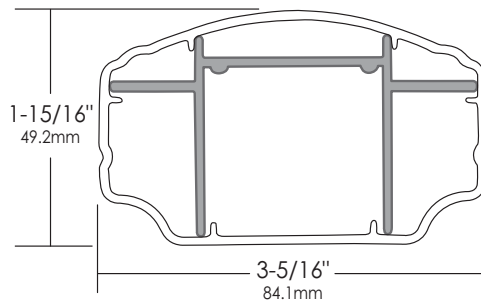
TUSCAN MANUFACTURING			
P.O. Box 185 Landisville, PA 17538			
UCM REF#	T36-512L	REV	
SCALE	1 of 1	DRAWN BY	tuscan
SHEET#		DATE	7/21/09



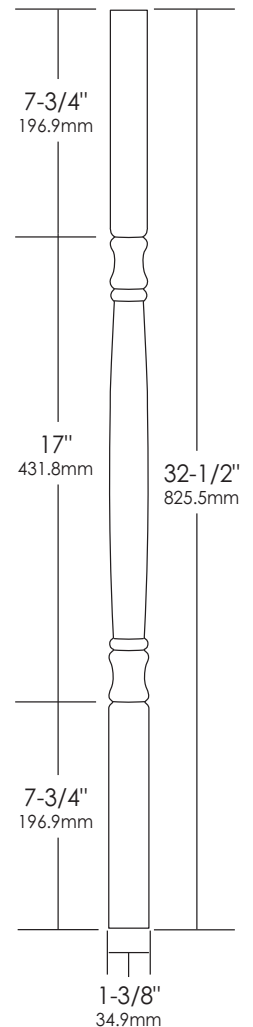
Adjustable Foot Block



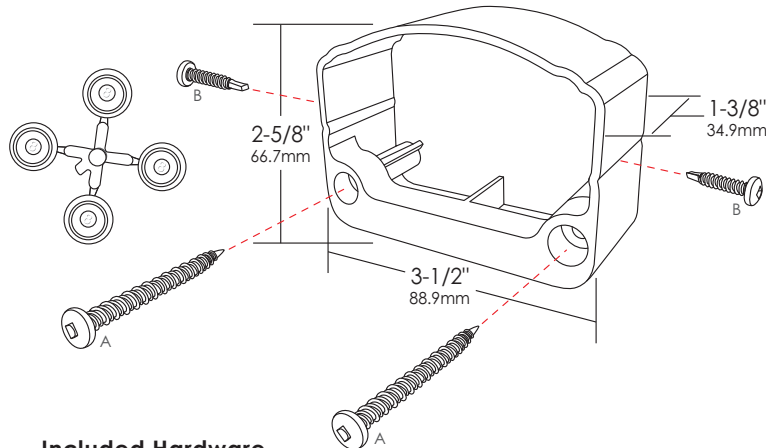
Tuscan Vinyl Railing w/Aluminum Insert



1-3/8" Colonial Baluster



Level Mounting Bracket
Same Bracket for Top and Bottom Rail



Included Hardware

- A: #10 - 2" Stainless Steel Screw • #2 Square Drive
- B: #10 - 1" Stainless Steel Self-Tapping Screw • #2 Square Drive
- C: 4 Screw Caps



TUSCAN MANUFACTURING
www.tuscanmfg.com

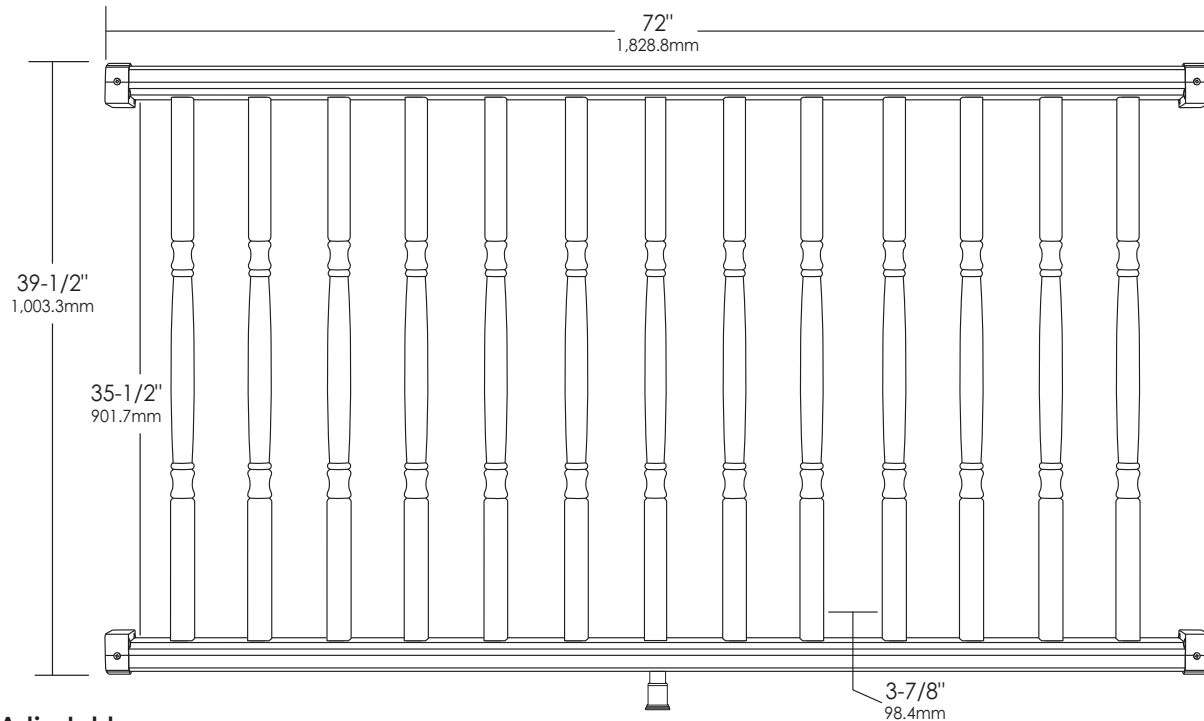
This drawing is the property of Tuscan Manufacturing.
Any hard copy of this drawing may not be current.
This document and or images contained within may not be
reproduced in publication format without express written consent
of Tuscan Manufacturing. Drawings may not be to scale.

TUSCAN MANUFACTURING

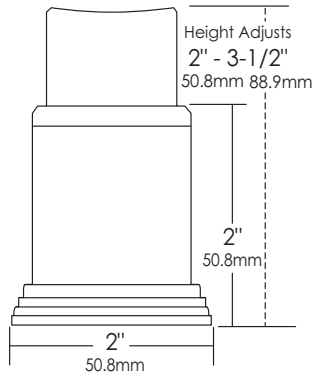
P.O. Box 185 Landisville, PA 17538

UCM REF# T42-562L

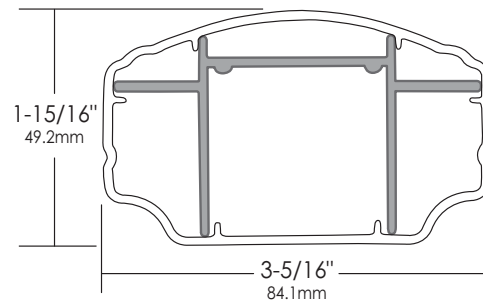
SCALE SHEETS# 1 of 1 DRAWN BY tuscan DATE 7/21/09



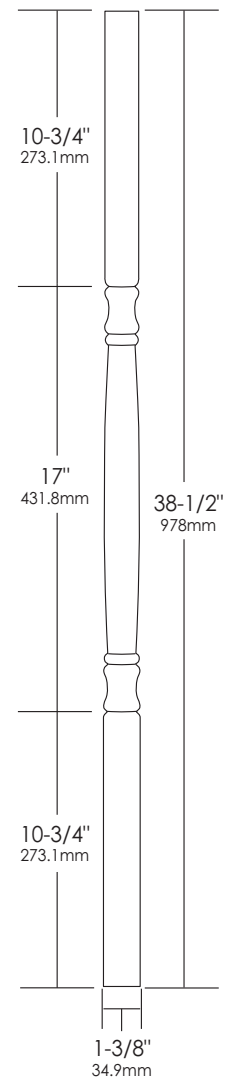
Adjustable Foot Block



Tuscan Vinyl Railing w/Aluminum Insert

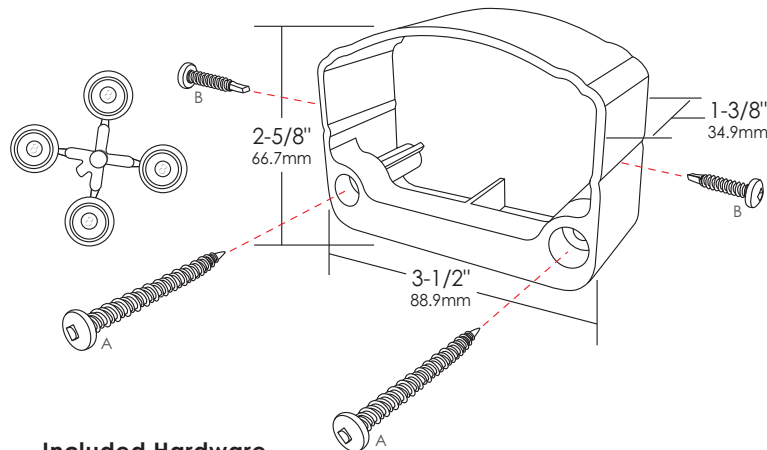


1-3/8" Colonial Baluster



Level Mounting Bracket

Same Bracket for Top and Bottom Rail



Included Hardware

A: #10 - 2" Stainless Steel Screw • #2 Square Drive

B: #10 - 1" Stainless Steel Self-Tapping Screw • #2 Square Drive

C: 4 Screw Caps



TUSCAN
MANUFACTURING
www.tuscanmfg.com